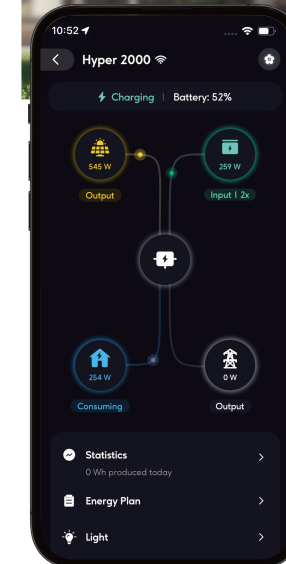


## Scenarios



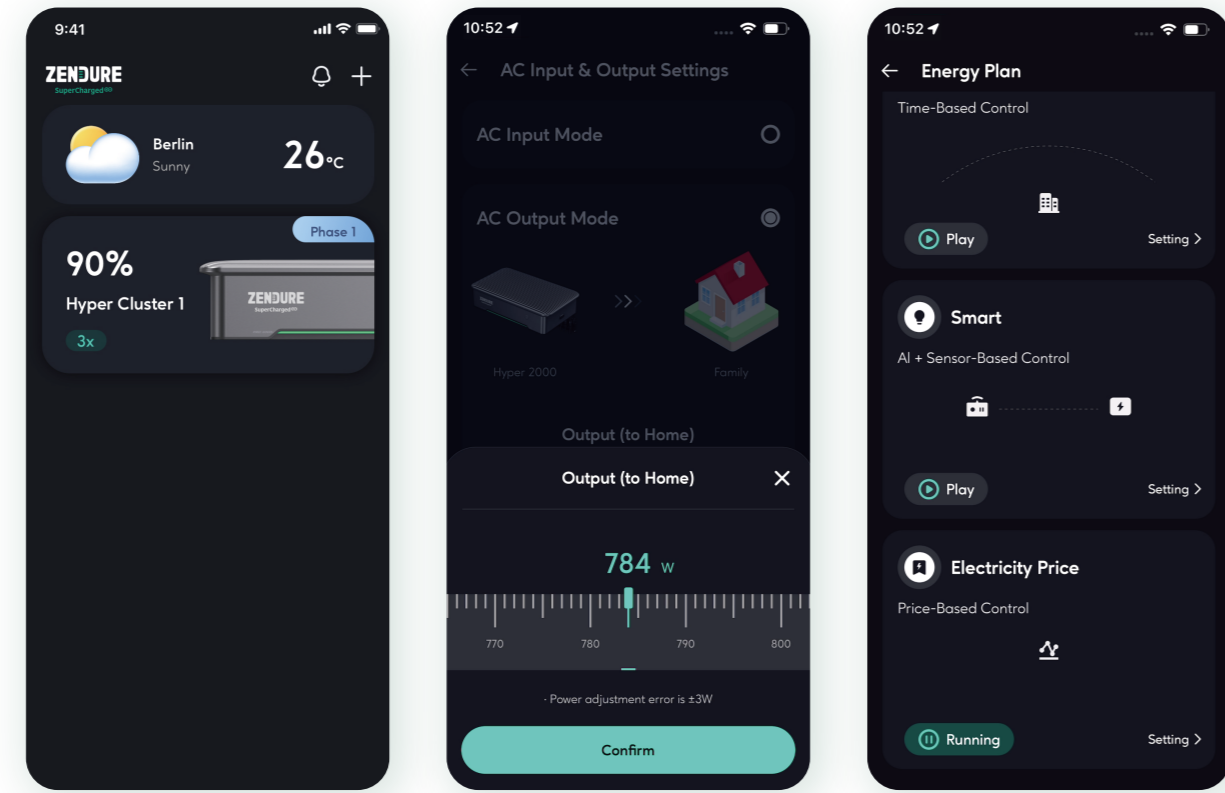
## ZEN+ Home

Experience the power of Zen+ Home, a smart energy management hub that puts you in control while driving sustainability and cost savings, empowering energy management, taking charge of your consumption via Zendure App. It will also help you to take full control of your home appliances anywhere and anytime, resulting in a more energy-conscious lifestyle.

## Zendure App

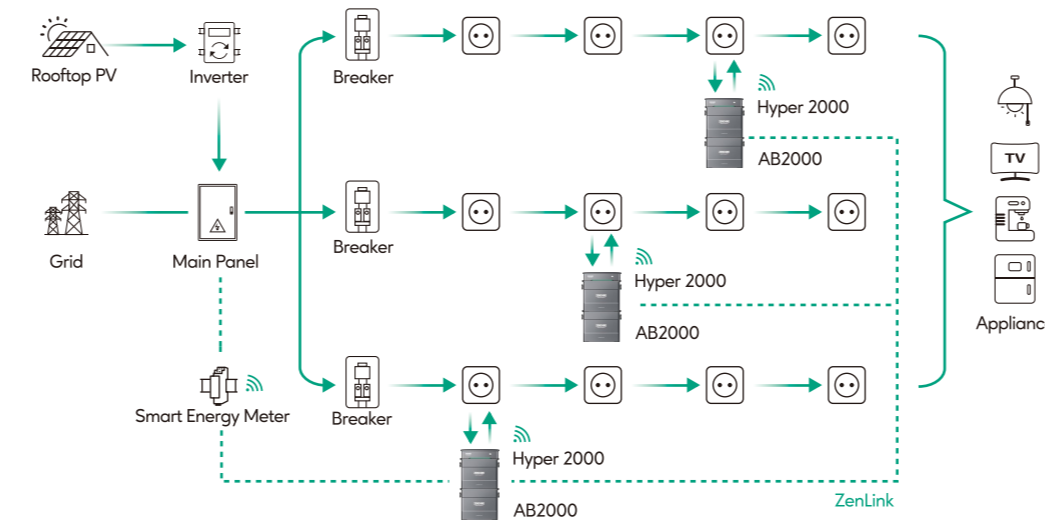
- AIoT Real-time Intelligent Energy Allocation
- Second-level Bi-Directional Real-time Energy Monitoring
- Smart Control for Uncompromising Safety
- Seamless energy usage data, providing a comprehensive insights of your consumption patterns
- 1W increments (30-1200W)

Real-time monitoring and management via energy meter and smart plugs.

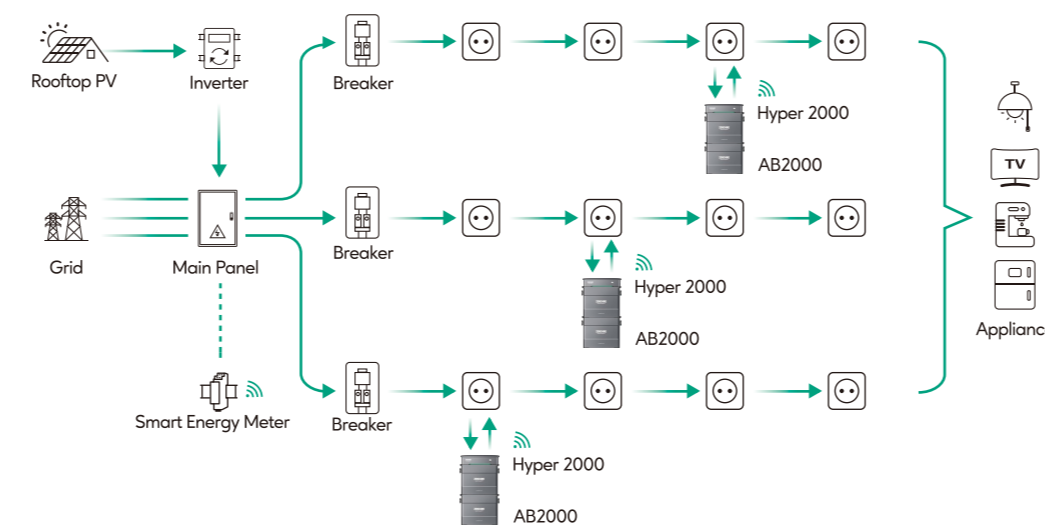


## SolarFlow Hyper System Architecture

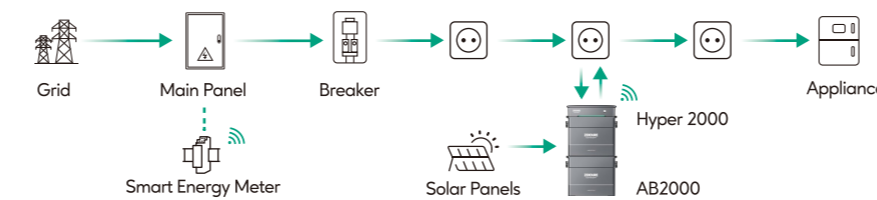
### Plug & Play AC Coupling Rooftop Solar Storage Solution (Single Phase)



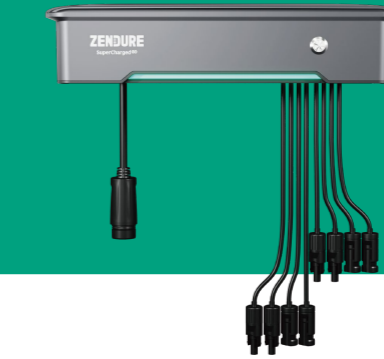
### Plug & Play AC Coupling Rooftop Solar Storage Solution (Three Phase)



### Plug-in AC Coupling Solar Storage Solution



## Hyper 2000



### PV Input

PV Input Ports	Solar Connector, PV1-4
PV Input Rated Voltage	15V-55V
PV Input Recommended Power	350W-550W
Number of MPPTs	2
MPPT1 Connections	PV1 & PV2
MPPT2 Connections	PV3 & PV4
Each MPPT Rated Voltage Range	16-48V
Each MPPT Rated Current	20.5A
Each MPPT Rated Power	900W
Dual MPPTs Rated Power	1800W

### AC Power Input/Output

Rated Power	1200W
Rated Voltage	220V/230V/240V
Rated Frequency	50Hz
Rated Current	5.5A

### Battery Terminal

Charging Mode	
Maximum Input Power	One AB1000 Battery: 950W One AB2000 Battery: 1200W Two or More Batteries: 1600W

### Discharging Mode

Maximum Output Power	1200W
----------------------	-------

### Environmental Adaptability

Charging Temperature	-25°C to 60°C
Discharging Temperature	-25°C to 60°C
Storage Temperature	-25°C to 85°C
Maximum Relative Humidity	90%
IP Rating	IP65

### Others

Wireless Type	Bluetooth, Wi-Fi
OTA	Supported
Dimensions	350 x 202 x 78mm
Product Weight	≈8.5kg

## ZENDURE SuperCharged 60



## SolarFlow Hyper

### Redefine Home Energy Possibilities

The world's first multi-sets coordination plug-in solar system with bidirectional AC-coupled storage solution



The basic warranty of the Hyper 2000 is 10 years.

*This warranty policy is limited to Zendure products only*



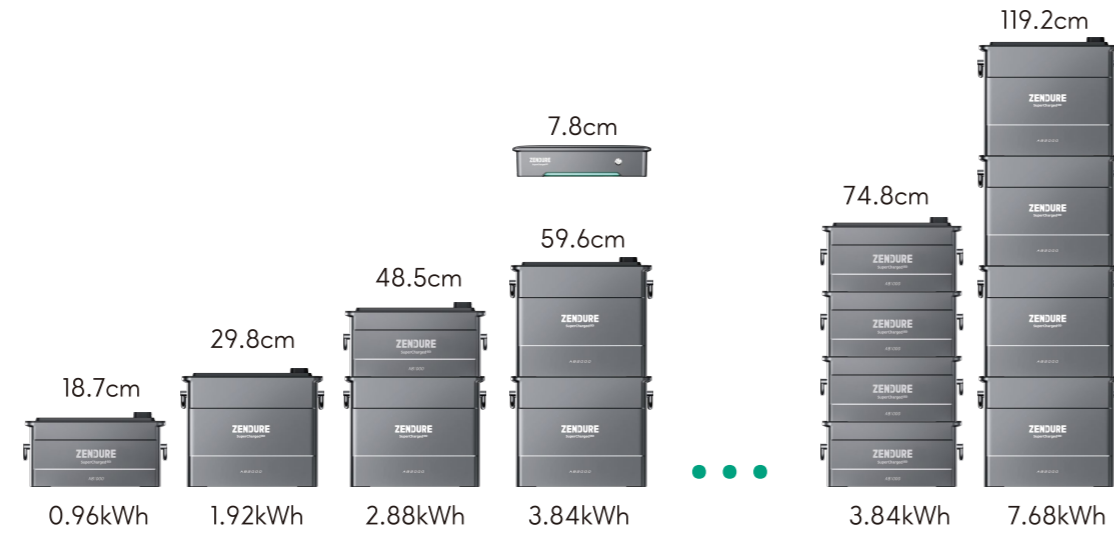
SolarFlow Hyper by Zendure is the definitive Plug & Play AC Coupling Energy Storage Solution, setting new standards in clean energy innovation and sustainability. Boasting both advanced technology for balcony energy storage and unrivaled cost efficiency for rooftop PV system owners, SolarFlow Hyper stands out as the pinnacle choice for those seeking cutting-edge performance and economical solutions in the realm of solar energy utilization.

### Simplify Solar Energy with Plug&Play Modular Design



Experience hassle-free setup without complex installation procedures. Our Plug&Play system enables immediate operation right out of the box for exceptional convenience and time-saving benefits.

### Scalable Power and Storage for Household Needs



Hyper's hybrid microinverter seamlessly integrates with add-on battery packs to support customizable scalability. Each Hyper set offers a substantial 7.68kWh battery capacity, providing ample energy storage for household needs.

### Advanced Charging Solution for Optimized Battery Performance



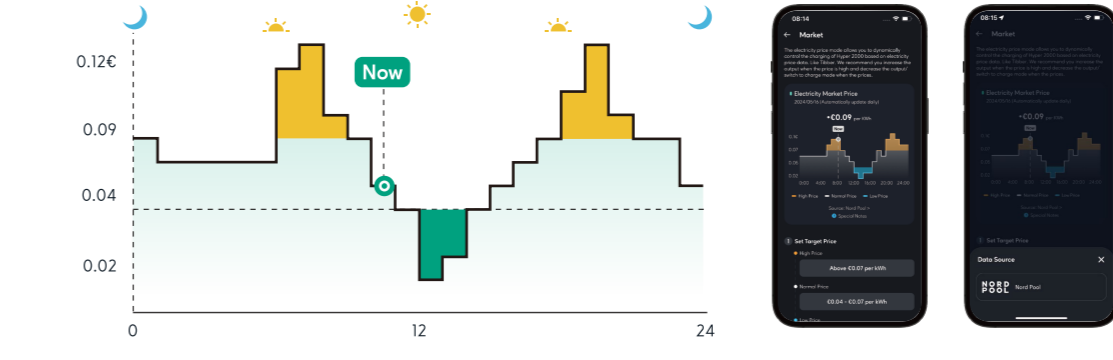
Hyper's AC coupling connection, an advanced plug-in solution, avoids complex rewiring, ensuring a straightforward setup process and allows 1200W Bi-Directional AC power.

### Advanced Multi-set Communication and Coordination



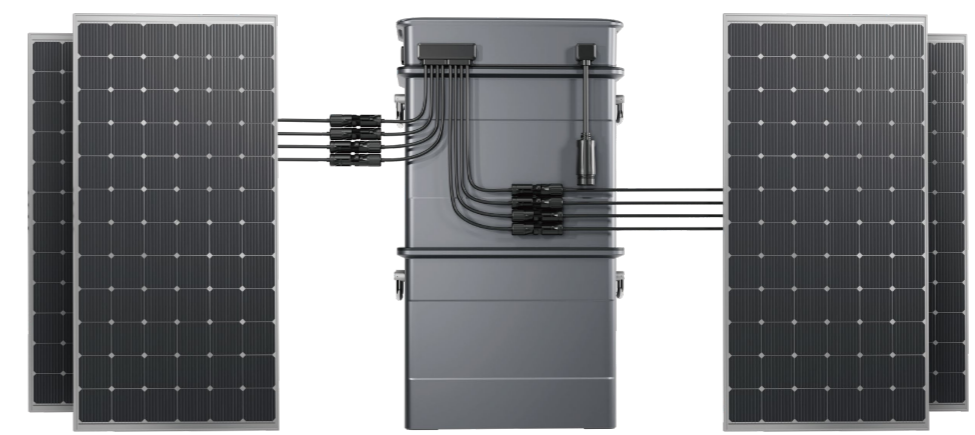
Local communication technology multiple sets for safety, efficiency, and simplicity. (Every Phase has Max 1,800W output.). Multiple Hyper systems can be installed throughout 3 phases, every phase has a max 23.04kWh capacity, enabling up to 69.12kWh of home energy storage.

### Advanced Cost-Optimization via TOU

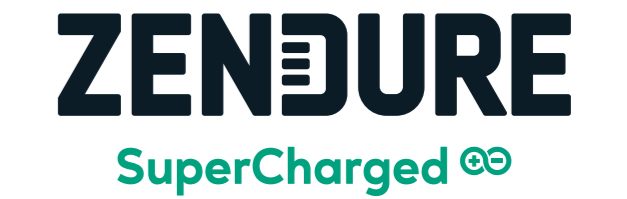


By actively monitoring and responding to day-ahead energy pricing, Hyper ensures maximum cost savings. Zendure's APP integrates with Nord Pool's day-ahead energy retail prices, providing insights to leverage time-of-use and reduce your energy costs.

### Boost Power Generation



Equipped with 4 sets of MC4 ports, 1800W MPPT, Hyper optimizes solar energy generation with 2400W solar input.



Founded in 2017, Zendure is one of the fastest-growing EnergyTech start-ups located in the technology hubs of Silicon Valley, USA, and the Greater Bay Area, China, Japan, and Germany.

Our purpose is to accelerate a sustainable future.

Our mission is to deliver reliable and affordable clean energy for households worldwide by popularizing the latest EnergyTech.

- German site: <https://zendure.de>
- European site: <https://eu.zendure.com>
- US site: <http://zendure.com>

**Contact us**  
 Support: [support@zendure.com](mailto:support@zendure.com)  
 PR & Influencer: [pr@zendure.com](mailto:pr@zendure.com)  
 Distributors: [sales@zendure.com](mailto:sales@zendure.com)



zendure.com  
 ZD-Hyper-ZY-EN-V01