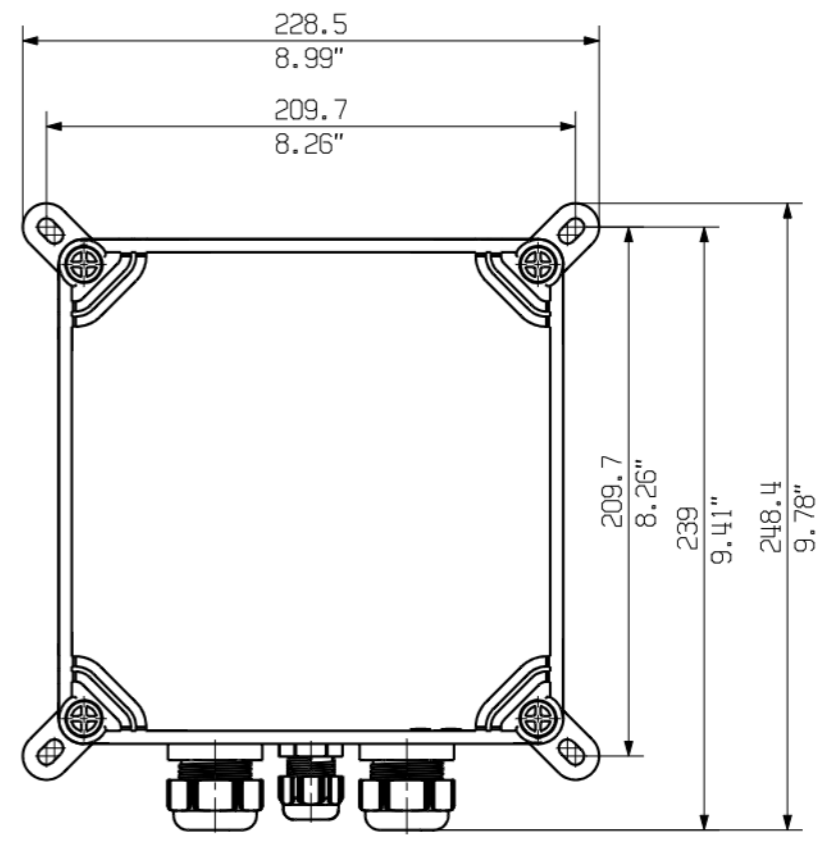
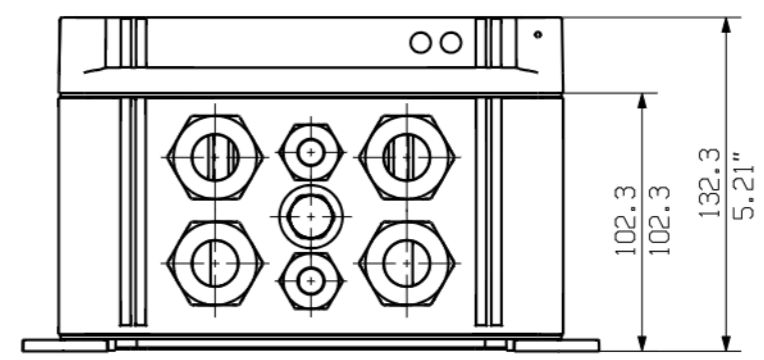
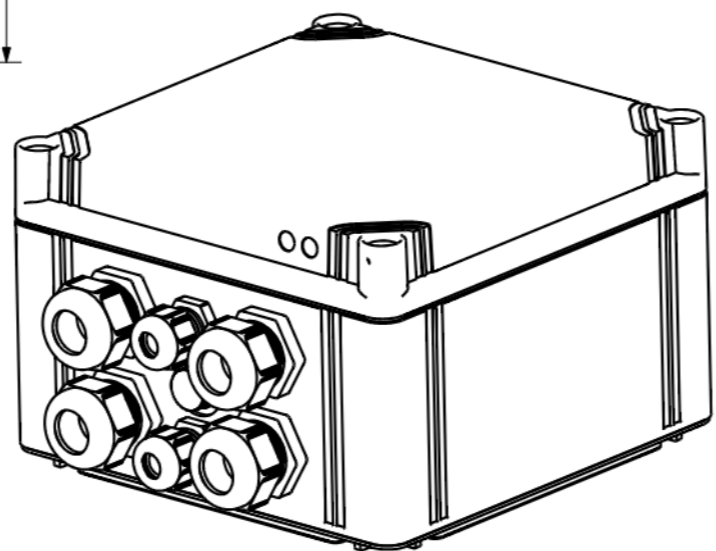
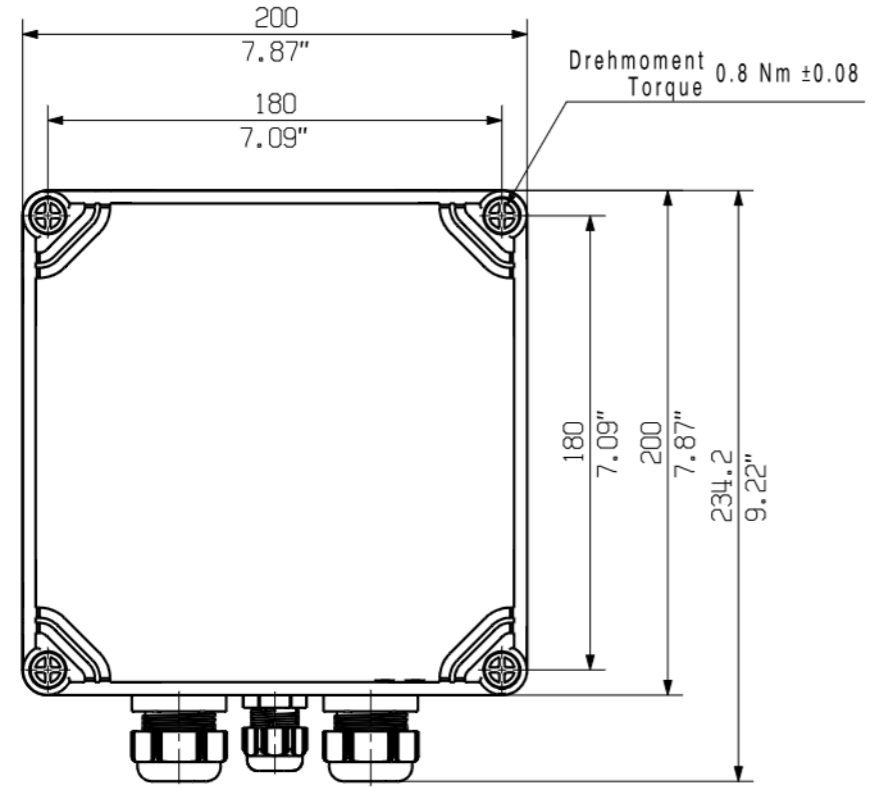
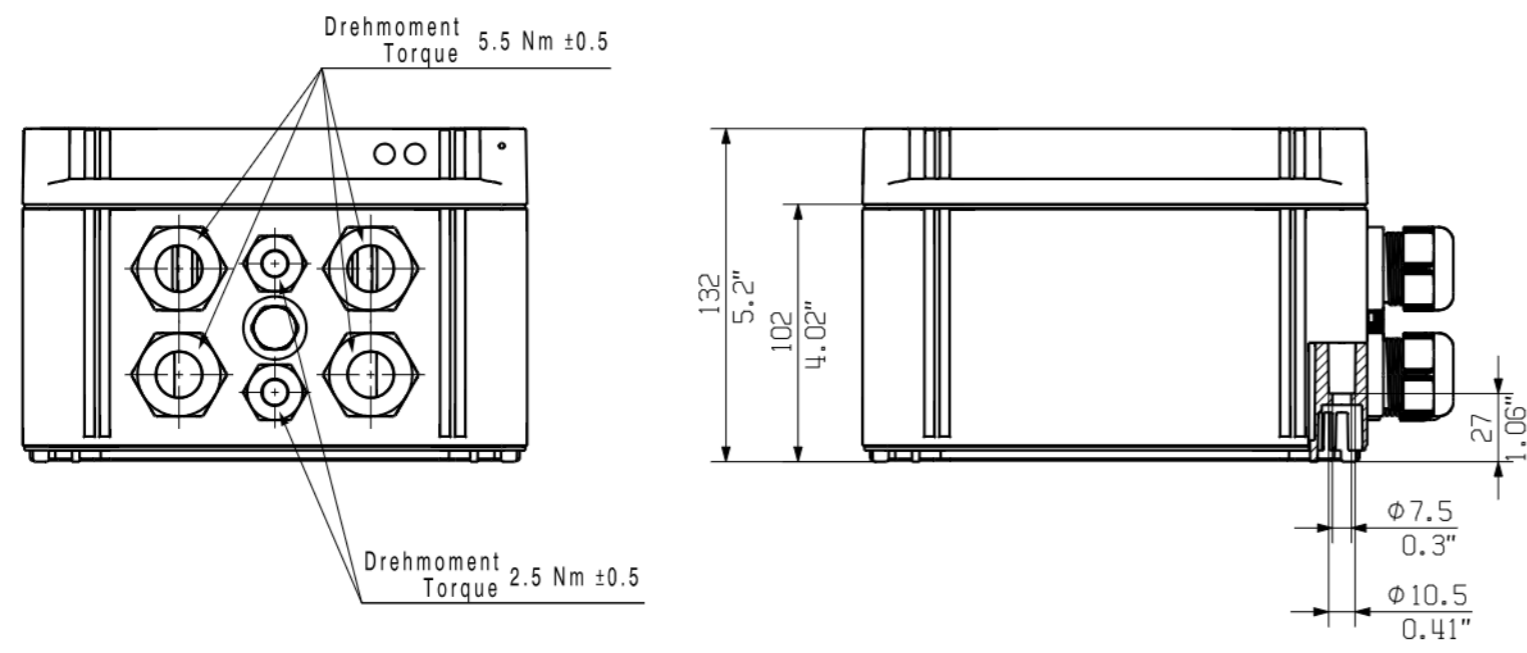


The English version is binding



Darstellung mit Zubehoer 9536040000 MF FPC  
 Shown with accessory

General Tolerances: <input type="checkbox"/> WN700144-W.. <input type="checkbox"/> WN 212010 <input type="checkbox"/> ISO 2768-mK		Tolerances ISO 8015	
Changes: EC00007387		0	
Mat. No. (SAP) 2866320000		<b>Weidmüller</b> <b>76335</b> <span style="border: 1px solid black; border-radius: 50%; padding: 2px;">1</span>	
Drawings Assembly		<small>Drawing no. Index</small> Scale: 1/3 Sheet 2 / 2	
Drawn	Dreier, Bianca	<b>2866320000 PVN DC 2IN/1OUTx2 2MPPT SPD1R CG 1.1kV</b> COMBINERBOX RESIDENTIAL/COMMERCIAL COMBINERBOX RESIDENTIAL/COMMERCIAL	
Responsible	Wohlgemuth, Klaus		
Approved	Püschner, Klaus		
		06.05.2022	

The reproduction, distribution and utilization of this document as well as the communication of its contents to others without explicit authorization is prohibited. Offenders will be held liable for the payment of damages. Weidmüller exclusively reserves the right to file for patents, utility models or designs.

© Weidmüller Interface GmbH & Co. KG