

VE.Bus BMS V2

Product manual

Rev 03 - 02/2023

This manual is also available in [HTML5](#).

Table of Contents

1. General description	1
2. Safety precautions	3
3. Installation	4
3.1. What's in the box?	4
3.2. Basic installation	5
3.2.1. Minimal VE.Bus firmware	5
3.2.2. Battery BMS cable connections	6
3.2.3. Mains detector	7
3.3. Controlling DC loads and chargers	8
3.3.1. DC load control	8
3.3.2. DC charge control	8
3.3.3. Controlling inverter/chargers, solar chargers and other battery chargers	8
3.3.4. DVCC operation with VE.Bus BMS V2	9
3.3.5. Charger control via Charge disconnect	9
3.3.6. Charging with an alternator	9
3.4. Remote on/off terminal	10
3.5. GX device	11
3.6. Connecting a Digital Multi Control or a VE.Bus Smart dongle	12
4. System examples	13
4.1. System with a GX device, on/off switch and pre-alarm circuit	13
4.2. System with a SmartShunt, BatteryProtect and solar charger	14
4.3. Basic system	15
4.4. System with an alternator	16
4.5. Three-phase system with a Digital Multi Control	17
5. Operation	18
5.1. Important warning	18
5.2. LED indications	18
6. Frequently asked questions	19
7. Technical specifications VE.Bus BMS V2	20
8. Appendix	21
8.1. Dimensions VE.Bus BMS V2	21
8.2. VE.Bus BMS V2 compared to VE.Bus BMS V1	22

1. General description

The VE.Bus BMS V2 is a battery management system (BMS) for [Victron Energy Lithium Battery Smart](#) batteries available with a nominal voltage of 12.8V or 25.6V in various capacities. This is the safest of the mainstream lithium battery types. They can be connected in series, parallel and series/parallel so that a battery bank can be built for system voltages of 12V, 24V or 48V. Up to four 12.8V batteries or two 25.6V batteries can be connected in series. A total of 20 batteries can be connected, resulting in energy storage of up to 84kWh in a 12V system or up to 102kWh in a 24V and 48V system.

Protects each individual cell of a Victron Lithium Battery Smart (LiFePO₄) battery

Each individual cell of a LiFePO₄ battery must be protected against under- and overvoltage, as well as low and high temperature. This is exactly what the VE.Bus BMS V2 does in combination with the battery's BTV module, which provides appropriate signals to the BMS.

The Victron Lithium Battery 12.8V & 25.6V Smart have integrated Balancing, Temperature and Voltage control (acronym: BTV) and connect to the VE.Bus BMS V2 with two M8 circular connector cord sets. The BTVs of several batteries can be daisy chained. Please see our [Lithium Battery Smart product page](#) for details.

Depending on the signals from the battery, the BMS will:

- Generate a pre-alarm signal to warn of an imminent cell undervoltage.
- Shut down or disconnect loads in case of cell undervoltage.
- Turn off the inverter of VE.Bus inverter/chargers in case of cell undervoltage.
- Reduce the charge current in case of cell overvoltage or overtemperature of VE.Bus inverter/chargers or VE.Bus inverters.
- Shut down or disconnect battery chargers in case of cell overvoltage or overtemperature.

Pre-alarm

The pre-alarm output is normally free floating and becomes high in case of imminent cell undervoltage. It is set by default at 3.1V per cell and is adjustable on the battery between 2.85V and 3.15V per cell. The minimum delay between pre-alarm and load disconnect is 30 seconds. Note that the pre-alarm does not generate a notification on the GX device and therefore not on VRM either.

Load disconnect

The Load disconnect output is normally high and becomes free floating in case of cell undervoltage. The Load disconnect output can be used to control:

- The remote on/off terminal of a load.
- The remote on/off terminal of an electronic load switch like a [BatteryProtect](#) (preferred low power consumption solution).

Charge disconnect

The Charge disconnect output is normally high and becomes free floating in case of cell over voltage or over temperature. The Charge disconnect output can be used to control:

- The remote on/off terminal of a charger, like an AC charger, DC-DC charger or solar charger.
- A Cyrix-Li-Charge relay.
- A Cyrix-Li-ct Battery Combiner.

LED indicators

The BMS has the following LED indications:

- **Status LED (blue):** Lights once every 10 seconds when the Multi is switched on to indicate BMS info frames are being sent. When the Multi is off, either due to a low cell/remote off or just switched off by means off the front panel switch, the BMS goes into low power mode but continues to send BMS info frames (with a slightly longer interval between them). In this mode the BMS status led does not light up to conserve energy. If the BMS is stuck in the bootloader, the status LED will flash rapidly. This can happen, for example, after an interrupted firmware update (to fix this, restart the update on VictronConnect or via VRM).
- **Cell voltage above 4V LED (red):** Lights when the Charge disconnect output is low because of cell overvoltage or overtemperature.

- Cell voltage above 2.8V LED (blue): Lights when the Load disconnect output is high and the battery cell voltages are above 2.8V.

Connectivity and communication with GX device

- On/off/charger-only control of VE.Bus products via a GX device.
- GX DVCC control of solar chargers. There is no need to install an BatteryProtect or Cyrix-Li-Charge to control solar chargers via the BMS like the VE.Bus BMS V1 does.

Has separate power input and output connections for GX devices

- The GX-Pow output supplies GX power from either the battery or from the Aux-In input, whichever voltage is higher.
- An AC-DC adapter (not included) or other power supply connected to the Aux-In input will ensure that the GX device is powered as long as that Aux power is available, even if the battery is low, for example, due to an error the battery is in under voltage and the inverter/charger is switched off. This allows the system to be diagnosed remotely (assuming the Internet is still available), even when (almost) everything else is turned off. See the [Technical specifications \[20\]](#) for the required power rating of an AC-DC adapter.

True remote on/off terminal

- The VE.Bus BMS V2 needs to remain connected to the battery positive in order to be able to keep the Multi in low power mode even when AC input on the Multi is available (Multi will stop inverting/charging, close the transfer switch and indicate a low battery error on the status LEDs). In comparison, disconnecting the battery positive of the VE.Bus BMS V1 only really turns the Multi off when no AC input is available.

2. Safety precautions



- Installation must strictly follow the national safety regulations in compliance with the enclosure, installation, creepage, clearance, casualty, markings and segregation requirements of the end-use application.
- Installation must be performed by qualified and trained installers only.
- Carefully study the product manuals of all connected devices before installing them.
- Switch off the system and check for hazardous voltages before altering any connection.
- Do not open the lithium battery.
- Do not discharge a new lithium battery before it has been fully charged first.
- Charge a lithium battery only within the specified limits.
- Do not mount the lithium battery upside down or on its sides.
- Check if the lithium battery has been damaged during transport.

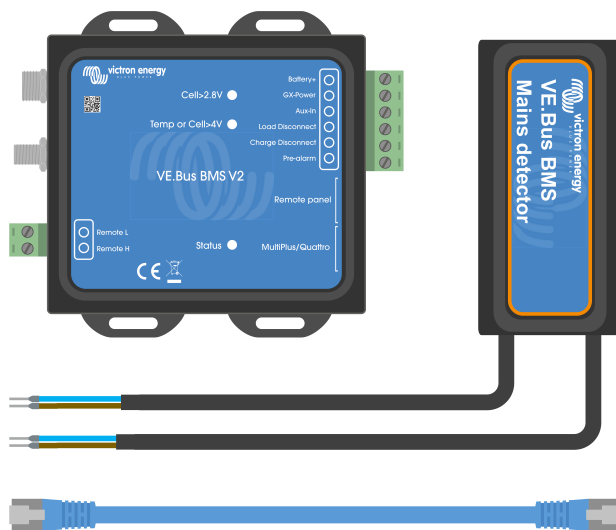
3. Installation

3.1. What's in the box?

The following items are in the box:

- 1x VE.Bus BMS V2
- 1x Mains detector
- 1x 0.3m RJ45 UTP cable
- Piece of Velcro adhesive hook and loop tape

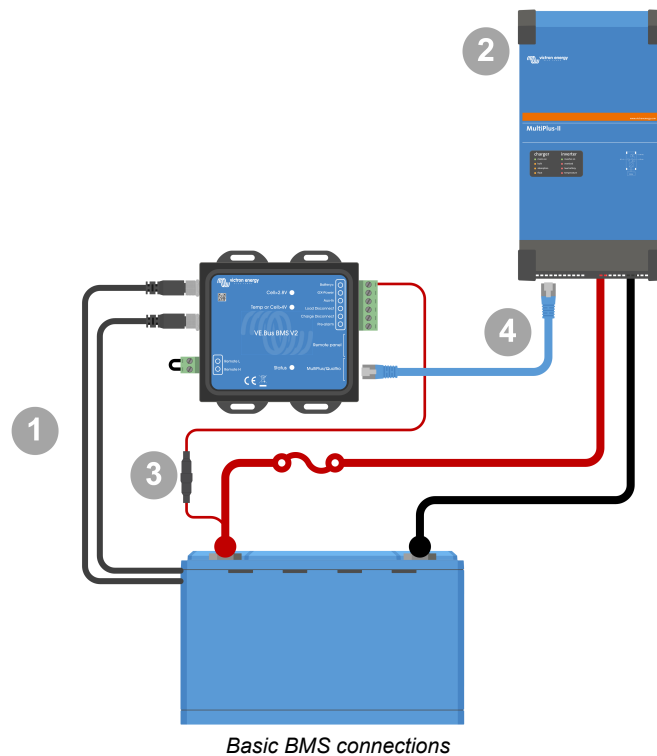
Note that the DC power cable to power the BMS is not included. Use any 1-wire cable with at least 0.75mm² (AWG 16) and a 1A inline fuse.



What's in the box

3.2. Basic installation

1. Connect the battery BMS cables to the BMS. For multiple batteries, see the [Battery BMS cable connections \[6\]](#) chapter. Be sure to read and follow the installation instructions in the [Lithium Battery Smart manual](#).
2. Connect the inverter/charger or inverter positive and negative cables to the battery. Make sure it has been updated to the most recent firmware version. For more information, see the [Minimal VE.Bus firmware \[5\]](#) chapter.
3. Connect the battery positive via the red power cable with the fuse to the BMS "Battery+" terminal.
4. Connect the VE.Bus port of the Inverter/charger or inverter to the "MultiPlus/Quattro" port of the BMS via an RJ45 cable (not included).
5. In case of a non-new style [MultiPlus 12/1600/70](#) and [MultiPlus 12/2000/80](#), non-MultiPlus-II or non-Quattro-II, install the mains detector. For more information, see the [Mains detector \[7\]](#) chapter.



Note that the BMS does not have a battery negative connection. This is because the BMS obtains battery negative from the VE.Bus. As such, the BMS cannot be used without a VE.Bus Inverter/charger or a VE.Bus inverter.

3.2.1. Minimal VE.Bus firmware

Before connecting the BMS to the system, the VE.Bus firmware of all inverter/chargers or inverters used in the system needs to be updated to the latest firmware version (version xxxx489 or above).

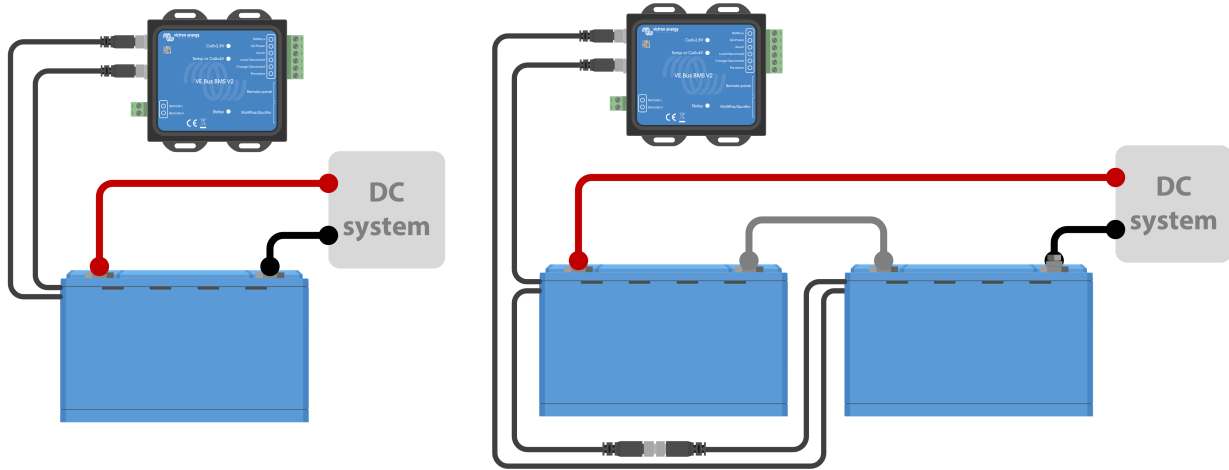
If the inverter/charger firmware is between version xxxx415 and xxxx489, the "VE.Bus BMS" or "ESS" assistant must be installed in the inverter/charger.

If the inverter/chargers or inverters have a VE.Bus firmware version below xxxx415, the BMS will generate a VE.Bus error 15 (VE.Bus combination error). This error indicates that the VE.Bus products or firmware versions cannot be combined. If it is not possible to update the inverter/chargers or inverters to a VE.Bus firmware version xxxx415 or higher the VE.Bus BMS V2 cannot be used.

3.2.2. Battery BMS cable connections

In the case of several batteries in parallel and/or series configuration, the BMS cables should be connected in series (daisy-chained), and the first and last BMS cable should be connected to the BMS.

If the BMS cables are too short, they can be extended with extension cables, the [M8 circular connector Male/Female 3 pole cables](#).



Left: Connecting a single battery. Right: connecting multiple batteries.

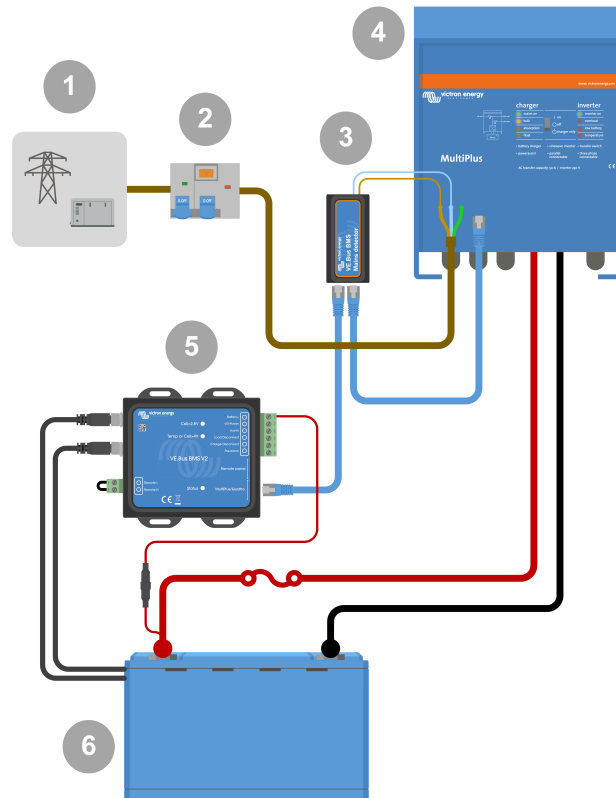
3.2.3. Mains detector

i The mains detector is not required for the **new style MultiPlus 12/1600/70 and MultiPlus 12/2000/80**, MultiPlus-II, Quattro-II and inverter models. In this case this chapters can be skipped and the mains detector should be disposed of.

The purpose of the mains detector is to restart the inverter/charger when the AC supply becomes available in case the BMS has shut down the inverter/charger due to low cell voltage (so that it can recharge the battery).

In systems consisting of several units configured for parallel, three-phase, or split-phase operation, the mains detector should be wired in the master or leader unit only.

In the case of a MultiPlus, only use one AC wire pair, and in the case of a Quattro, use both wire pairs.



AC detector wiring example.

#	Description
1	AC grid or generator
2	AC circuit breaker and RCD
3	Mains detector
4	Inverter/charger
5	VE.Bus BMS V2
6	Lithium Battery Smart

3.3. Controlling DC loads and chargers

3.3.1. DC load control

DC loads with remote on/off terminals:

DC loads must be switched off or disconnected to prevent cell undervoltage. The Load disconnect output of the BMS can be used for this purpose. The Load disconnect output is normally high (= battery voltage). It becomes free-floating (= open circuit) in case of an impending cell undervoltage (no internal pull down to limit residual current consumption in case of low cell voltage).

DC loads with a remote on/off terminal that switches the load on when the terminal is pulled high (to battery plus) and switches it off when the terminal is left free-floating, can be controlled directly with the BMS Load disconnect output.

DC loads with a remote on/off terminal that switches the load on when the terminal is pulled low (to battery minus) and switches it off when the terminal is left free-floating, can be controlled with the BMS Load disconnect output via an [Inverting remote on/off cable](#).



Note: please check the residual current of the load when in the off state. After low cell voltage shutdown, a capacity reserve of approximately 1Ah per 100Ah battery capacity is left in the battery. For example, a residual current of 10mA can already damage a 200Ah battery if the system is left in a discharged state for more than eight days.

Disconnecting a DC load via a BatteryProtect:

Use a BatteryProtect for DC loads that do not have a remote on/off terminal or for switching groups of DC loads off.

A BatteryProtect will disconnect the DC load when:

- Its input voltage (= battery voltage) has decreased below a preset value.
- Its remote on/off H terminal becomes free floating (usually high). This signal is provided by the Load disconnect output (wired to the remote on/off H terminal of the BatteryProtect) of the VE.Bus BMS V2. See the wiring example [System with a BatteryProtect and a solar charger \[14\]](#).

3.3.2. DC charge control

3.3.3. Controlling inverter/chargers, solar chargers and other battery chargers

In the event of high cell voltage or low temperature, battery charging must be stopped to protect the battery cells. Depending on the system, chargers are either controlled via DVCC or must be controlled via their remote on/off terminals and the Charge disconnect output of the VE.Bus BMS V2.

- In systems with a GX device, you must enable DVCC to ensure that the solar chargers and other DVCC-compatible devices only charge when they should. See [DVCC operation with VE.Bus BMS V2 \[9\]](#) for details.
- In systems without a GX device, the BMS Charge disconnect output must control the solar charger and other chargers, either via remote on/off, a BatteryProtect or a Cyrix-Li-Charge. See [Charger control via Charge disconnect \[9\]](#) for details.

3.3.4. DVCC operation with VE.Bus BMS V2

DVCC (Distributed Voltage and Current Control) allows a GX device to control compatible devices such as solar chargers, Inverter RS, Multi RS or Multis.

In order for the GX device to control the solar chargers, Inverter RS or Multi RS in a system with a VE.Bus BMS V2, DVCC **must** be enabled. These chargers are controlled by setting their maximum charge current limit to zero when the VE.Bus BMS V2 requests that charging should stop.

Note that the presence of a VE.Bus BMS V2 does not control the charge voltage of the solar chargers, Inverter RS, Multi RS or a Multi.

- In an ESS system, the Multi controls the charging voltage of the solar chargers, Inverter RS and Multi RS using the configuration made with VE.Configure or VictronConnect. In other words: The charge algorithm must be configured in the Multi.
- In a non-ESS (off-grid) system, the solar chargers, Inverter RS, Multi RS and Multi follow their own internal charge algorithm. Here, all devices must be set to the appropriate lithium charge algorithm.

AC chargers and smaller Phoenix inverters are not (yet) controlled by the GX device, and therefore you still need to wire signal wiring (via ATC aka Charge disconnect) to control such devices.

3.3.5. Charger control via Charge disconnect

Chargers that are not DVCC compatible or installed in systems without a GX device can be controlled via the VE.Bus BMS V2 Charge disconnect output, provided the chargers have a remote on/off port.

The Charge disconnect output, normally high (equal to battery voltage), must be connected to the H terminal of the charger's remote on/off connector. At high cell voltage or low temperature, the Charge disconnect output becomes free-floating and pulls the charger's remote on/off H terminal low (to battery minus), stopping the charge.

For battery chargers with a remote terminal that activates the charger when the terminal is pulled low (to battery minus) and deactivates when the terminal is left free floating, the [Inverting remote on-off cable](#) can be used.

Alternatively, a [Cyrix-Li-Charge relay](#) can be used. The Cyrix-Li-Charge relay is a unidirectional combiner that inserts between a battery charger and the lithium battery. It will engage only when charge voltage from a battery charger is present on its charge-side terminal. A control terminal connects to the Charge disconnect output of the BMS.

3.3.6. Charging with an alternator

Alternator charging can be controlled either with a DC-DC charger such as the [Orion-Tr Smart](#), or with a [SolidSwitch 104](#) when controlling an external alternator regulator like the Balmar MC-614.

Both devices are then also controlled by the BMS Charge disconnect output wired to the Orion-Tr Smart or SolidSwitch 104 remote on/off H terminal. See [System with an alternator \[16\]](#)

3.4. Remote on/off terminal

The BMS remote on/off terminal can be used to turn the entire system on and off while the BMS remains connected to battery positive, which keeps the inverter in low power (discharging and charging not allowed) mode even if it is still connected to AC In.

The remote H and L terminals switch the system on when:

- Contact is made between the remote H terminal and L terminal, for example, via the wire bridge or a switch.
- Contact is made between the remote connector H terminal and battery positive.
- Contact is made between the remote connector L terminal and battery negative.

A typical application is switching off the system when a predetermined state of charge (SoC) is reached in a BMV. Its relay then operates the remote on/off terminal of the BMS. Note that at least the wire loop between pins L and H must be plugged in, so that the VE.Bus BMS V2 can switch on.

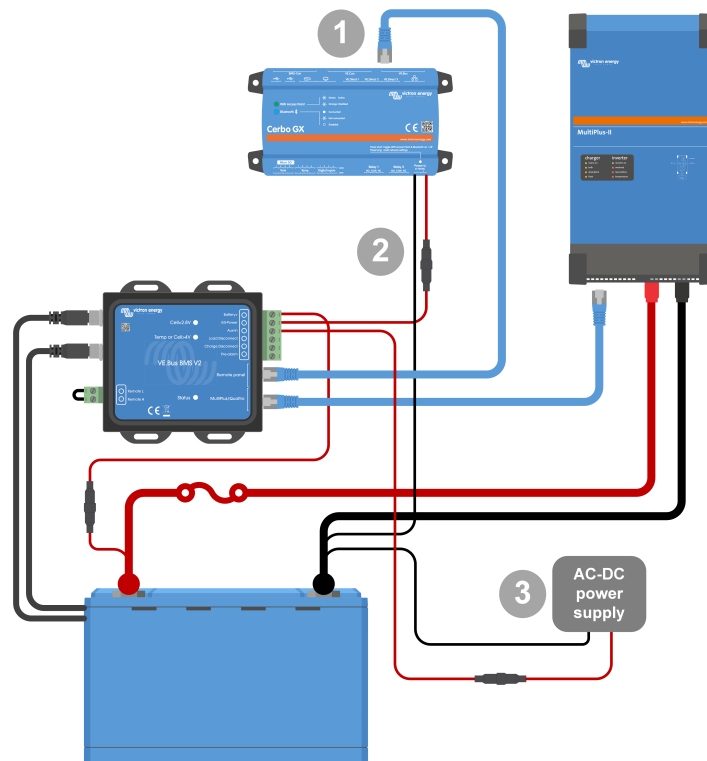
3.5. GX device

For solar chargers, Inverter RS, Multi RS or Multis to be controlled by the BMS via a GX device, the following requirements should be met:

- The GX device Venus OS firmware must be version 2.80 or above.

Installation:

1. Connect the GX device VE.Bus port to the Remote panel port on the BMS via an RJ45 cable (not included). Note that this is different from the former VE.Bus BMS V1, which allowed only the connection of a Digital Multi Control. The VE.Bus BMS V2 allows to connect a GX device, a VE.Bus Smart dongle or a Digital Multi Control.
2. Connect the GX device "power +" terminal to the GX-Pow terminal of the BMS and connect the GX device "power -" terminal to the negative terminal of the battery.
3. Connect the positive wire of an (optional) AC-DC power supply to the AUX-in terminal of the BMS and connect the negative wire to the negative battery terminal. Note that the AC-DC power supply is optional and most likely not needed in off-grid installations such as boats or RVs.
4. Perform a VE.Bus re-detect system action on the GX device. This action is available in the inverter/charger menu on the GX device.



GX device connections

The functionality of the GX-Pow and Aux-In terminals:

- The GX-Pow output supplies GX power from either the battery or from the Aux-In input, whichever voltage is higher.
- An AC-DC adapter (not supplied) or other power supply connected to the Aux-In input ensures that the GX device is also powered during a low cell state as long as that aux power is available.

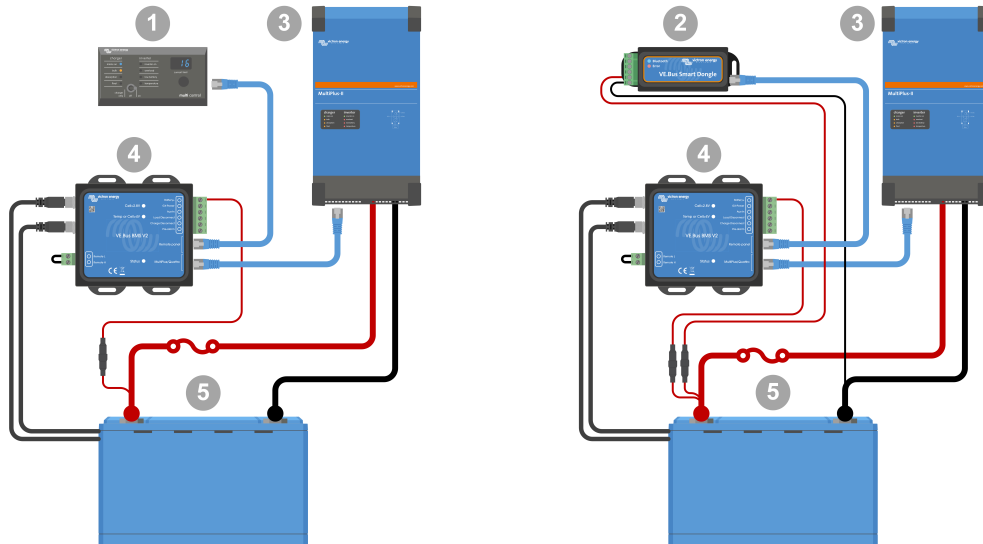
The GX device is powered by the GX-Pow terminal. The GX-Pow terminal is normally battery powered via the Battery+ terminal. In the event of a low cell voltage, this connection would not be available, leaving the GX device without power. However, when another power supply (i.e. a grid connected AC-DC power supply) is connected to the Aux-In, the GX-Pow connection will continue to power the GX device, allowing the system to remain accessible despite low cell voltage, for example, to remotely diagnosis the system.

3.6. Connecting a Digital Multi Control or a VE.Bus Smart dongle

A [VE.Bus Smart dongle](#) or [Digital Multi Control](#) (DMC) must be connected to the Remote panel port of the BMS. Both have on/off/charger-only control of the inverter/charger. It is also possible to connect the [Phoenix Inverter Control](#) panel in case a Phoenix VE.Bus inverter is used.

Note that in systems containing a Digital Multi Control and a GX device or a VE.Bus Smart dongle at the same time, on/off/charger-only control of the inverter/charger is only possible via the Digital Multi Control.

For example, the VE.Bus Smart dongle, Digital Multi Control and the GX device can all be connected simultaneously to the Remote panel port. However, in this scenario, on/off/charger-only control of the inverter/charger via the GX device and VE.Bus Smart dongle is disabled. Since inverter/charger control is disabled, the GX device or VE.Bus Smart dongle can also be connected to the MultiPlus/Quattro port of the BMS for easy wiring.

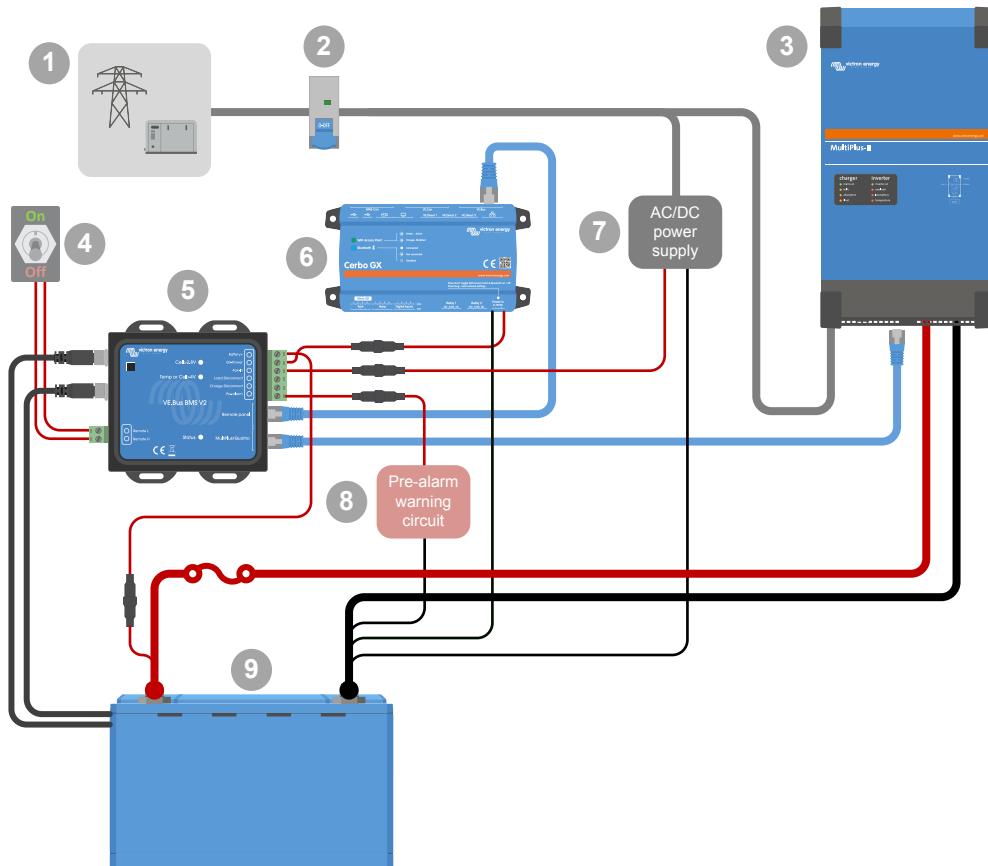


Left: System with a Digital Multi Control Panel - Right: System with a VE.Bus Smart dongle

#	Description
1	Digital Multi Control (or Phoenix Inverter Control in case a Phoenix VE.Bus inverter is used)
2	VE.Bus Smart dongle
3	MultiPlus-II Inverter/charger
4	VE.Bus BMS V2 The VE.Bus Smart dongle needs to measure the battery voltage. Therefore its Battery+ terminal must be connected to the positive battery terminal. Be aware that the VE.Bus Smart dongle will not be turned off by the BMS in case of a low cell warning and will continue to draw current (up to 9mA - see the VE.Bus Smart dongle specifications for details) from the battery.
5	Lithium Battery Smart or battery which can consist of multiple batteries to form a 12V, 24V or 48V battery.

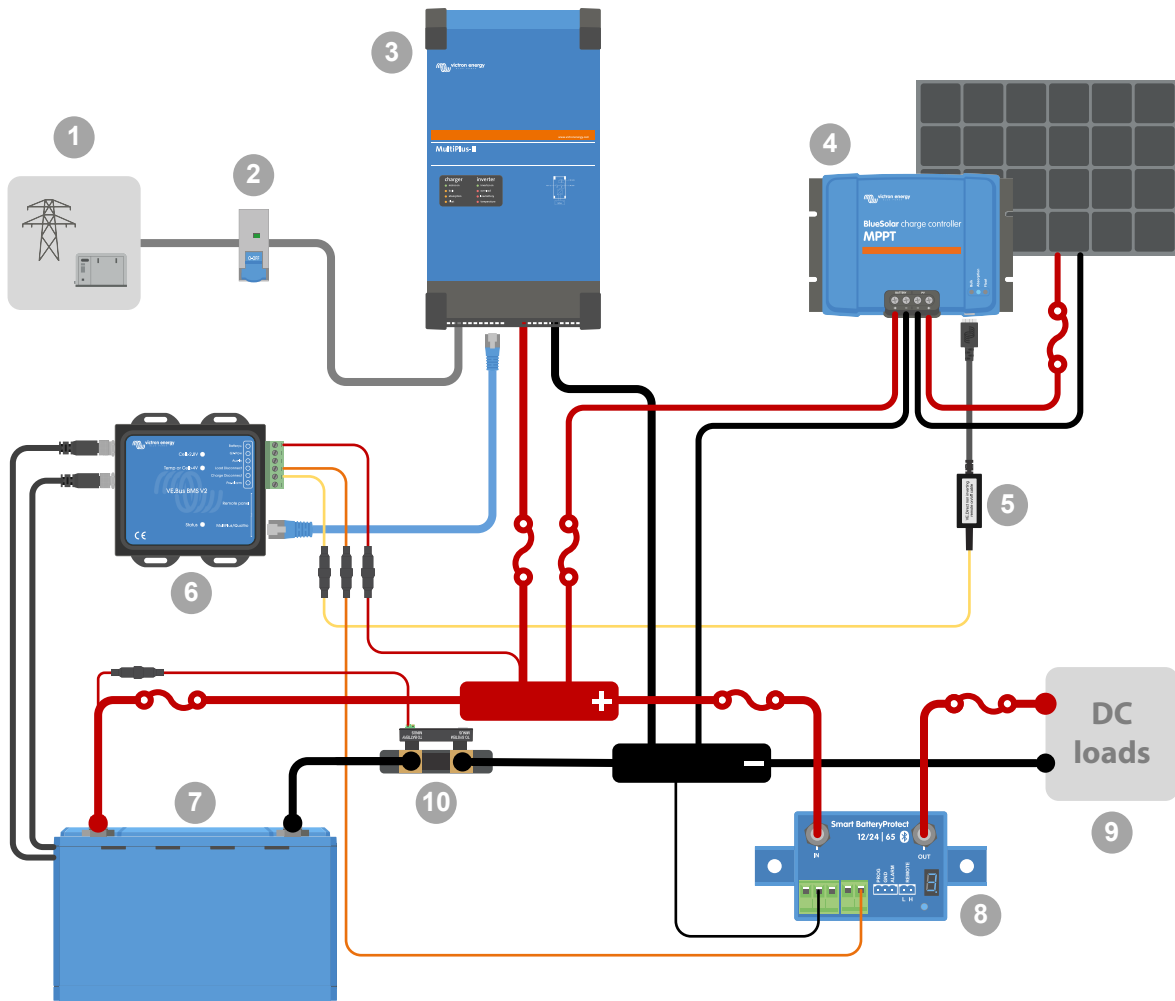
4. System examples

4.1. System with a GX device, on/off switch and pre-alarm circuit



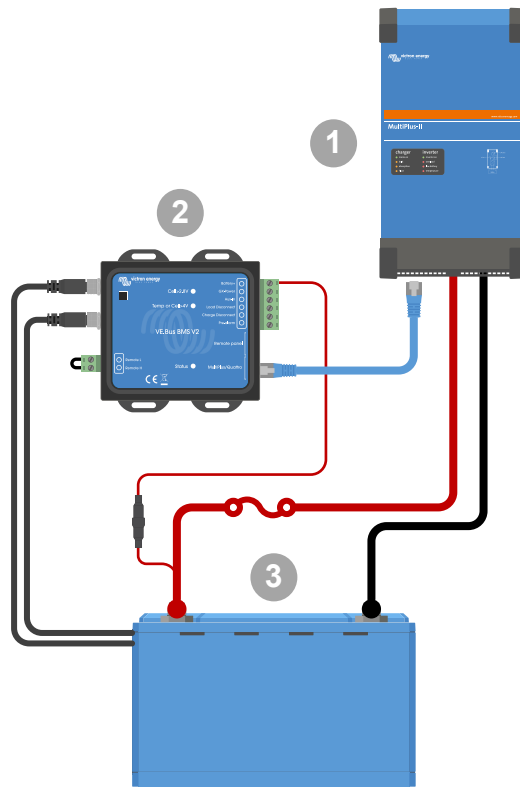
#	Description
1	AC source, grid or generator
2	Circuit breaker
3	MultiPlus-II Inverter/charger
4	Remote on/off switch
5	VE.Bus BMS V2
6	Cerbo GX
7	AC-DC power supply, providing backup power to the Cerbo GX should the battery be too far discharged
8	Pre-alarm warning circuit, giving an advanced warning in case of an imminent system shutdown due to a too far discharged battery
9	Lithium Battery Smart or battery consisting of multiple batteries creating a 12V, 24V or 48V battery bank

4.2. System with a SmartShunt, BatteryProtect and solar charger



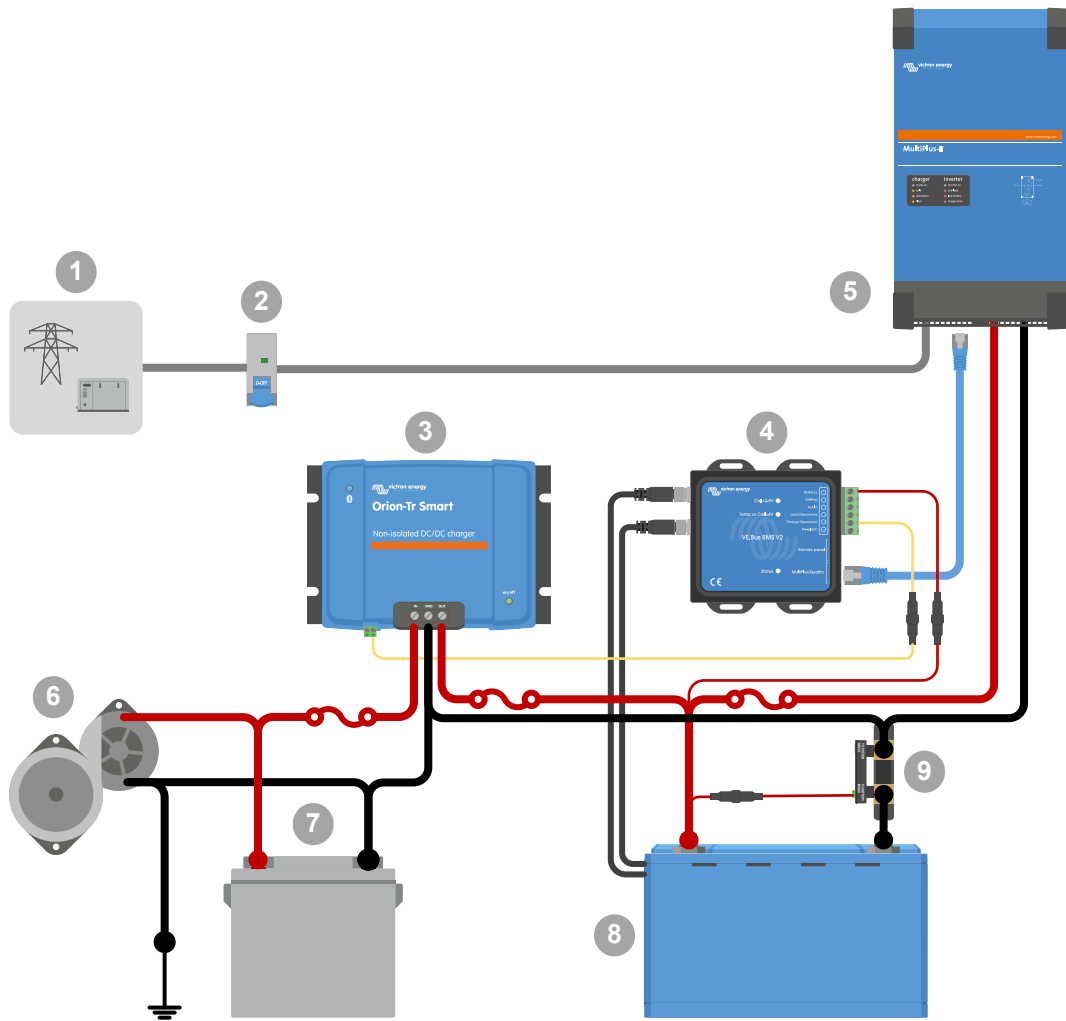
#	Description
1	AC source, grid or generator
2	Circuit breaker
3	MultiPlus-II Inverter/charger
4	Solar charger
5	VE.Direct non-inverting remote on/off cable connects between the solar charger VE.Direct port and the BMS Charge disconnect terminal
6	VE.Bus BMS V2
7	Lithium Battery Smart or battery consisting of multiple batteries creating a 12V, 24V or 48V battery bank.
8	BatteryProtect
9	DC loads
10	SmartShunt

4.3. Basic system



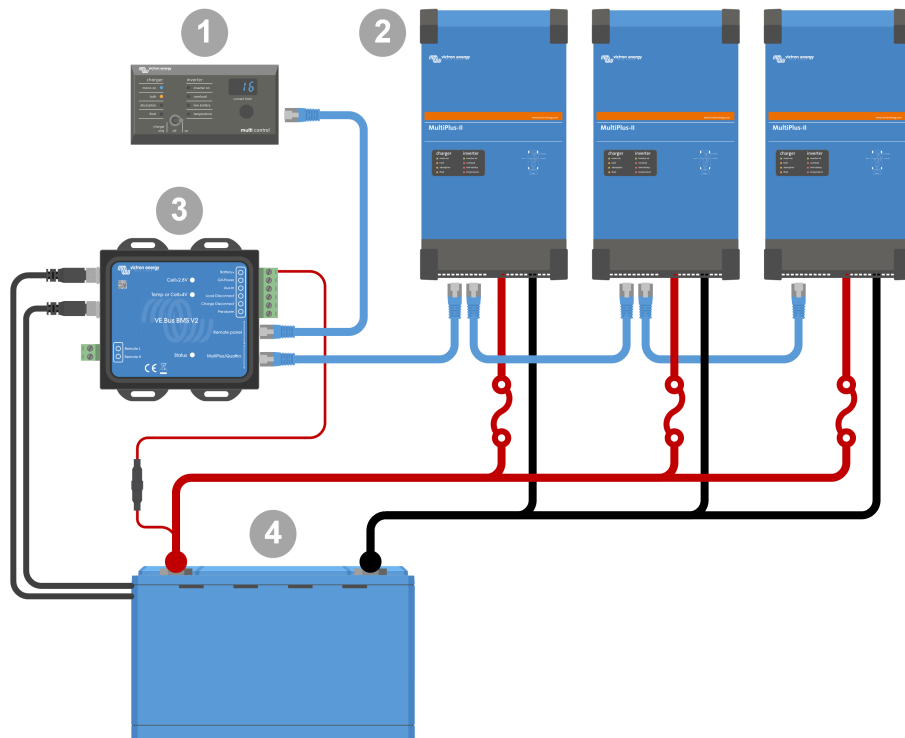
#	Description
1	MultiPlus-II Inverter/charger
2	VE.Bus BMS V2
3	Lithium Battery Smart or battery consisting of multiple batteries creating a 12V, 24V or 48V battery bank

4.4. System with an alternator



#	Description
1	AC source, grid or generator
2	Circuit breaker
3	Orion DC-DC charger, the remote H terminal is connected to the Charge disconnect terminal on the VE.Bus V2 BMS
4	VE.Bus BMS V2
5	MultiPlus-II Inverter/charger
6	Starter monitor and alternator
7	12V starter battery
8	Lithium Battery Smart or battery consisting of multiple batteries creating a 12V or 24V battery bank
9	SmartShunt

4.5. Three-phase system with a Digital Multi Control



#	Description
1	Digital Multi Control
2	MultiPlus-II Inverter/charger installed and configured as a 3-phase system
3	VE.Bus BMS V2
4	Lithium Battery Smart or battery consisting of multiple batteries creating a 12V, 24V or 48V battery bank

5. Operation

5.1. Important warning

Lithium batteries are expensive and can be damaged due to over discharge or over charge. Damage due to over discharge can occur if small loads (such as: alarm systems, relays, standby current of certain loads, back current drain of battery chargers or charge regulators) slowly discharge the battery when the system is not in use. In case of any doubt about possible residual current draw, isolate the battery by opening the battery switch, pulling the battery fuse(s) or disconnecting the battery plus when the system is not in use.

A residual discharge current is especially dangerous if the system has been discharged completely and a low cell voltage shutdown has occurred. After shutdown due to low cell voltage, a capacity reserve of approximately 1Ah per 100Ah battery capacity is left in the battery. The battery will be damaged if the remaining capacity reserve is drawn from the battery. A residual current of 10mA for example may damage a 200Ah battery if the system is left in discharged state for more than 8 days.

The shutdown due to low cell voltage by the BMS should always be used as a last resort to be on the safe side at all times. We recommend not letting it get that far in the first place and instead shutting down the system automatically based on a defined state of charge so that there is enough reserve capacity in the battery. For an inverter/charger, for example, this can be done via the VE.Configure setting 'shut-down on SoC'. It is even easier with a BMV, whose relay can control the remote on/off port of the BMS via an adjustable SoC value.

5.2. LED indications

LED	Colour	Behaviour	Meaning
Status	Blue	Off	BMS is off
		Lights shortly approximately once every 10 seconds.	BMS is operating normally.
		Flashes rapidly at approximately 15 times per second.	The BMS is stuck in boot loader mode due to a faulty application.
Cell > 2.8V	Blue	Off	Low cell voltage. The BMS has switched the DC loads and the inverter off. Charge the battery or connect an AC supply to the inverter/charger. Once the battery voltage has increased sufficiently, the DC loads and inverter will be switched on again.
		On	Cell voltage within normal range.
Cell > 4V	Red	Off	Cell voltage and temperature within normal range.
		On	High cell voltage or high temperature. The BMS has switched off the chargers. Check for a faulty charger and/or reduce battery temperature. Once the battery voltage and/or temperature have been sufficiently reduced, the BMS will switch the chargers back on.

6. Frequently asked questions

Q1: I have disconnected the VE.Bus BMS V2, my inverter/charger will not switch on; why?

If the inverter/charger cannot find the BMS, it will go into an emergency mode. In this mode, the inverter/charger will charge the batteries with a maximum of 5A, up to 12, 24 or 48V (depending on the system voltage). While the inverter/charger is in this mode, only the "Mains on" LED is illuminated. If you disconnect the AC input, the inverter/charger will switch off and will not start to invert since it cannot get verification on the battery health from the BMS. Note that when the batteries are depleted or disconnected, a Quattro will need to be powered from AC input 1. Supplying power to AC input 2 will not make a Quattro switch on and start charging.

Q2: The batteries are empty, and the inverter/charger will not start to charge; how to get the system up and running again?

Connect a small battery charger, for example, a 5A charger, and wait for the battery voltage to get back up to 12, 24 or 48V (depending on the system voltage).

Q3: What happens with the inverter/charger when the BMS gives a low cell voltage signal?

The inverter/charger will be set to "charger only mode", and the batteries are charged when an AC input is available. Should AC not be available, the inverter/charger is off.

Q4: What happens with the inverter/charger when the BMS gives a high cell voltage signal?

The high cell voltage signal will only be given when there are unbalanced cells. The inverter/charger will switch to bulk and starts charging with a reduced charge current. This allows the balancing system in the batteries to re-balance the cells.

Q5: What does it mean when the BMS displays a VE.Bus Error 15?

With VE.Bus firmware versions below version xxxx415 the VE.Bus BMS V2 will generate a VE.Bus Error 15, VE.Bus combination error. This error indicates that the VE.Bus products or firmware versions cannot be combined. Resolution: Update the inverter/charger to a firmware version xxxx415 or higher, if available.

7. Technical specifications VE.Bus BMS V2

Electrical	
Input voltage range	9 – 70Vdc
Current draw - regular operation	10mA (excluding Load disconnect current)
Current draw - low cell voltage	2mA
Current draw - switched off via remote on/off terminal	1.50mA
GX-pow output	1A
Aux-in input	1A
Pre-alarm output current rating	1A, not short circuit protected
Load disconnect output	Normally high (output voltage \approx supply voltage – 1V) Floating when the load needs to be disconnected Source current limit: 1A Sink current: 0A
Charge disconnect output	Normally high, (output voltage \approx supply voltage – 1V) Floating when charger should be disconnected Source current limit: 10mA Sink current: 0A
Remote on/off terminals	Usage modes to turn the system on or off: a. ON when the L and H terminal are interconnected (switch or relay contact) b. ON when the L terminal is pulled to battery minus ($V < 3.5V$) c. ON when the H terminal is high ($2.9V < V_H < V_{bat}$) d. OFF in all other conditions
VE.Bus communications ports	2 x RJ45 sockets to connect to all VE.Bus products

General	
Operating temperature	-20 to +50°C 0 - 120°F
Humidity	Max. 95% (non-condensing)
Protection grade	IP20

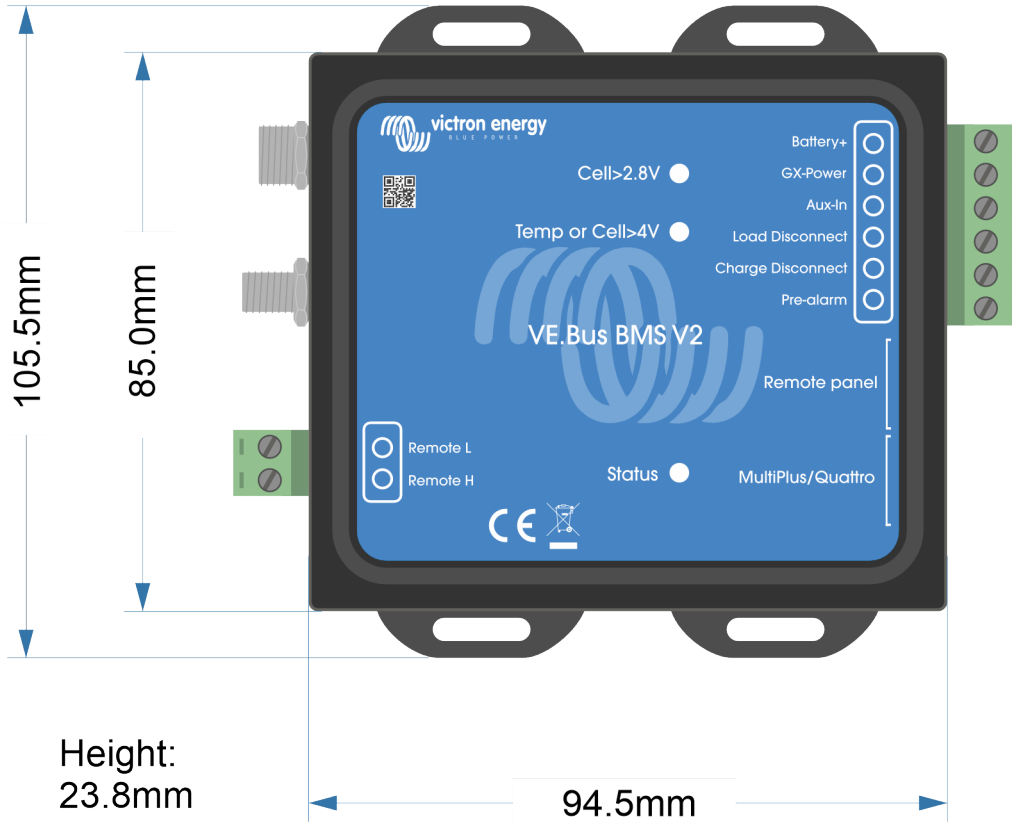
Enclosure	
Material	ABS
Colour	Matt black with a blue sticker
Weight	120gr
Dimension (h x w x d)	23.8mm x 94.5mm x 105.5mm

Standards	
Safety	EN 60950
Emission	EN 61000-6-3, EN 55014-1
Immunity	EN 61000-6-2, EN 61000-6-1, EN 55014-2
Automotive	EN 50498

External AC-DC adapter	
Min. power rating	1A@12V - If the nominal output voltage is > battery voltage, the AC-DC adapter takes over the power supply of the GX device.

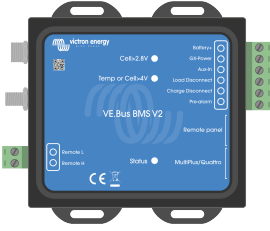
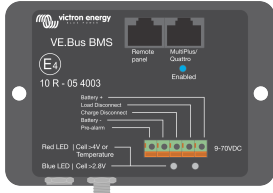
8. Appendix

8.1. Dimensions VE.Bus BMS V2



8.2. VE.Bus BMS V2 compared to VE.Bus BMS V1

This table highlights the differences between the VE.Bus BMS V2 compared to its predecessor, the VE.Bus BMS V1.

Feature	VE.Bus BMS V2	VE. Bus BMS V1
Product image		
MultiPlus/Quattro VE.Bus port	Yes	Yes
Remote panel VE.Bus port	To connect a GX device, a VE.Bus Smart dongle or a Digital Multi Control.	Only to connect a Digital Multi Control .
GX device communication	Yes, the BMS broadcasts operational data and the BMS can control equipment that is connected to a GX device, like solar chargers and certain AC chargers via DVCC.	No
On/Off/Charger-only control	Yes, via GX device and remotely via VRM, VE.Bus Smart dongle and Digital Multi Control.	Only with Digital Multi Control.
GX-Pow terminal	Yes, the GX-Pow output supplies GX power from either the battery or from the Aux-In input, whichever voltage is higher.	No
BMS firmware update	Yes, both locally and also remotely via the VRM portal.	Not possible
Inverter/charger "in system" firmware update	Yes, both locally and also remotely via the VRM portal.	No, the VE.Bus BMS V1 needs to be disconnected in order to update the firmware of the inverter/charger.
Usable without a VE.Bus connection	No. The BMS has no battery minus connection, battery minus is supplied by the VE.Bus and VE.Bus needs to be connected for the BMS to be powered.	Yes
Load disconnect terminal	Yes	Yes
Pre-alarm terminal	Yes	Yes
Charge disconnect terminal	Yes	Yes
Remote on/off terminal	Yes	No. If remote on/off control is needed, a switch needs to be placed in the positive power supply line to the BMS.
Aux-In terminal	Yes, an AC-DC adapter or other power supply connected to the Aux-In input ensures that the GX device is also powered during a low cell state as long as that aux power is available.	No
MultiPlus/Quattro enabled LED	No	Yes
Status LED	Yes, this LED indicates that the BMS is sending information frames to the inverter/charger. The LED can also indicate if the BMS is stuck in boot loader mode.	No
Low cell voltage LED	Yes	Yes
High cell voltage and/or temperature LED	Yes	Yes