

Busbar 150 A 2P with 10 or 20 screws, with cover

www.victronenergy.com

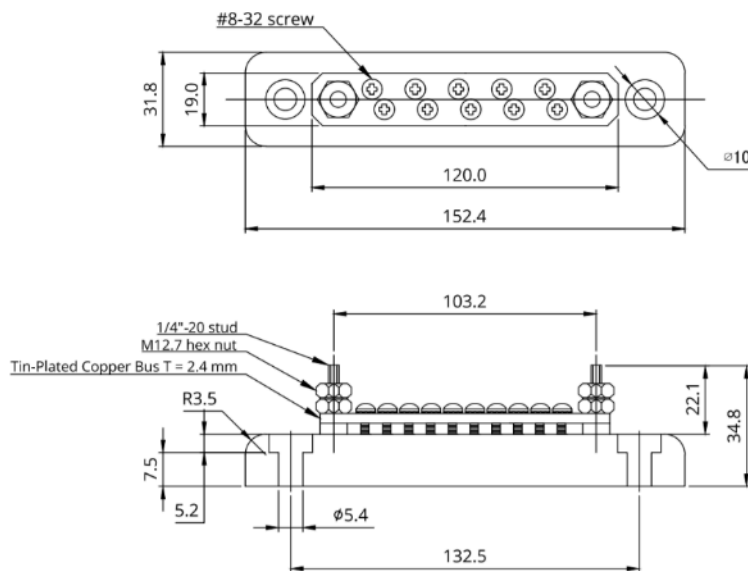


Busbar 150 A 2P with 10 screws and cover



Busbar 150 A 2P with 20 screws and cover

Busbar 150 A 2P with 10 or 20 screws, with cover	
Max. current	150 A
Max. Voltage	70 VDC
Terminal diameter	¼ inch / 6,35 mm
Terminal height	0.67 inch / 17 mm
Terminal material	Stainless steel
Hex nut material	Tin-plated copper
Recommended torque	60 lbf·inch / 7 N·m
Terminal screws	8-32 / 4,2 mm
Terminal material	Stainless steel
Busbar strip material	Tin-plated copper (2,4 x 19 mm)
Base material	ABS, black, UL 94 V-0
Cover material	Clear Polycarbonate, UL 94 HB
Weight, 10 screws	0,7 lb / 0,3 kg
Weight, 20 screws	2,2 lb / 1 kg
Dimensions 10 screws (hxwxd) (with cover)	1.8 x 6.0 x 1.25 inch 45 x 152,4 x 32 mm
Dimensions 20 screws (hxwxd) (with cover)	1.8 x 9.1 x 1.25 inch 45 x 232 x 32 mm



Busbar 150 A 2P with 10 screws