



TIGO ACCESS POINT (TAP)

The Tigo Access Point (TAP) improves the data management of your solar array by wirelessly communicating with Tigo smart modules and retrofit devices. TAP also greatly improves safety with module-level deactivation.

When paired with a Cloud Connect Advanced (CCA), the TAP provides unparalleled visibility into your solar installation.

VISIBILITY

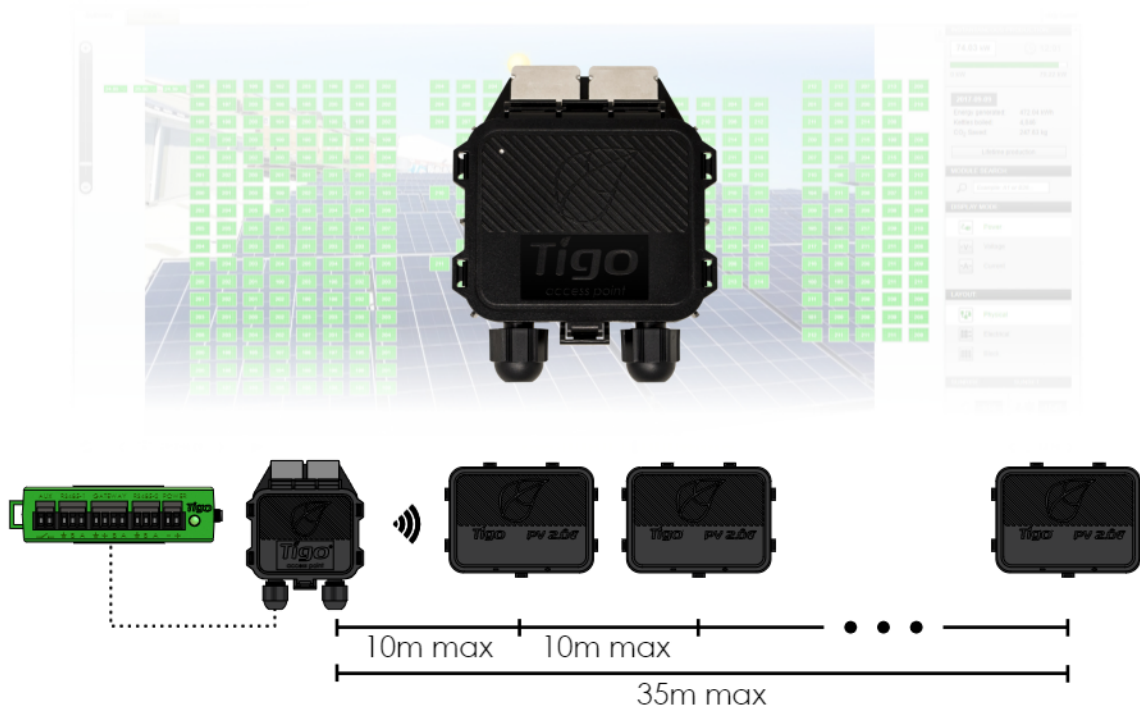
Communicate directly with TS4 units using the Tigo SMART app on a mobile device for the fastest commissioning.

SAFETY

Provide grid status to TS4 MLPE for rapid shutdown UL compliance.

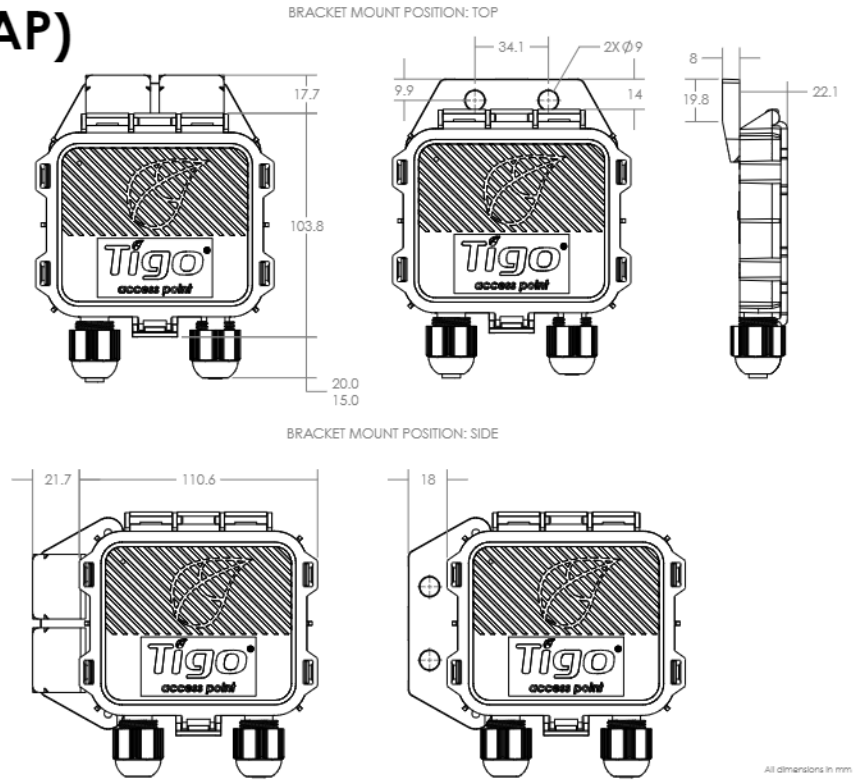
EASE OF INSTALLATION

Improved design flexibility and large inner compartment for quick wiring.



TIGO ACCESS POINT (TAP)

- Collect data from up to 300 TS4 units*
- Wireless mesh communication
- High definition sampling rate
- Scalable architecture
- Mounts easily on module frame without tools



Electrical Specifications

- Input voltage range: 5V_{DC} - 25V_{DC}
- Consumption: 0.5W average, 1W peak
- Recommended cable type: RS485, 18-22AWG

Mechanical Specifications

- Dimensions: 126.2mm x 130.0mm x 26.8mm (with bracket)
- Weight: 227g (0.5lbs)
- Operating temperature range: -30°C to +70°C (-22°F to +158°F)
- Environmental rating: IP68, Type 4R

Range and Capacity

- Maximum distance from TAP to closest TS4: 10m (33ft)
- Maximum distance from TAP to farthest TS4: 35m (115ft)
- Each TAP supports up to 300 TS4 units*
- *environmental conditions can impact the number of units supported

ORDERING OPTIONS

Item #	Description
158-00000-02	TAP, standalone

For sales info:
sales@tigoenergy.com or 1.408.402.0802

For product info:
 Visit tigoenergy.com/products

For technical info:
 Visit support.tigoenergy.com

For additional info and product selection assistance, use Tigo's online design tool at tigoenergy.com/design

