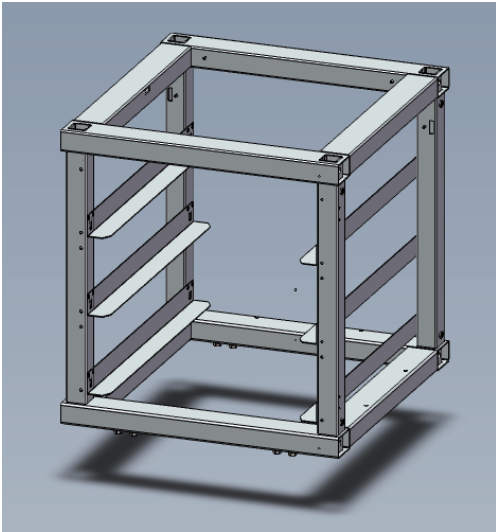


Installation Guide

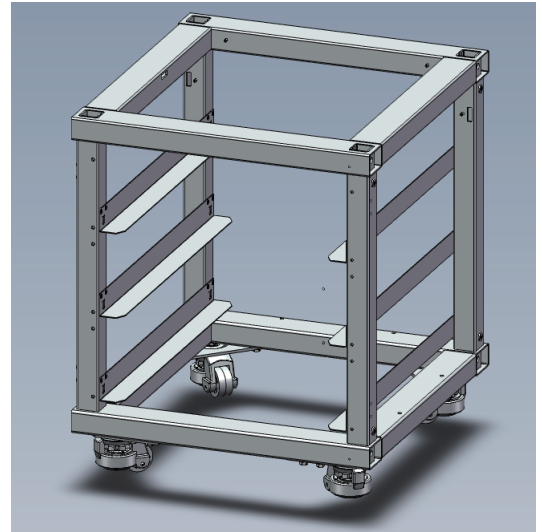
V-Box-IC



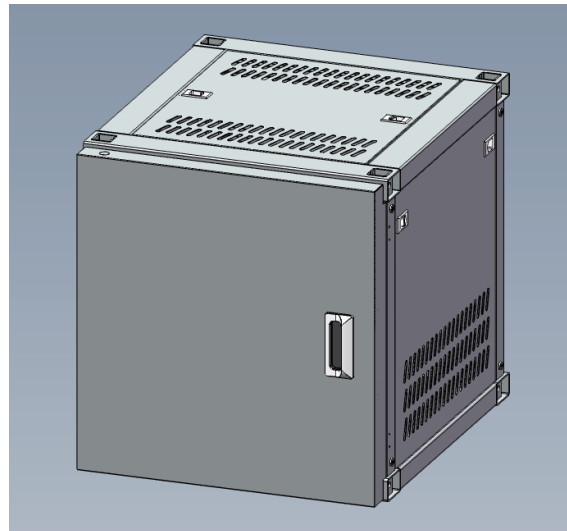
Multi Combinations for Various Scenarios



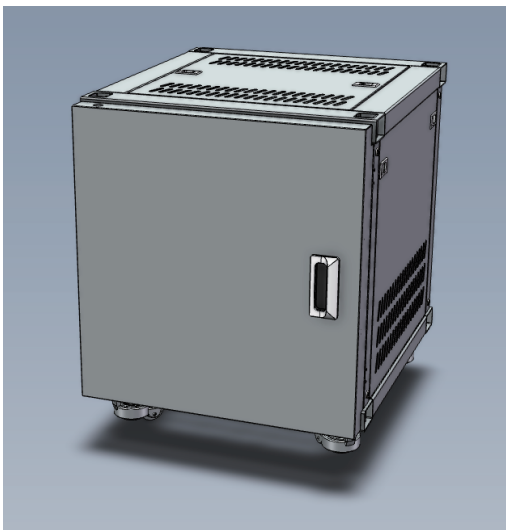
Basic Rack



Mobile Rack



Cabinet




Mobile Cabinet






Scalable System

V-Box-IC Installation Guide

PACKING LIST

No.	Package	Item	Quantity	Specification	Picture
1	Basic Rack	Top frame	1pcs	533x565x80mm	
2		Side frame (Left=Right)	2pcs	545x480x80mm	
3		Bottom frame	1pcs	533x565x80mm	
4		Screw	8pcs	M8 (#5 Inner hexagon nut hole)	
5	Mobile Option	Wheel	4pcs	YS-60T	
6		Screw	16pcs	M8(with gasket)	
7	Upgrade to Cabinet	Top cover plate	1pcs	411x443x20mm	
8		Side cover plate	2pcs	464x478x20mm	
9		Back cover plate	1pcs	483x478.5x18mm	
10		Door (Symmetrical Structure)	1pcs	523x548.4x55mm	
11		Door hinge	2pcs	CL253-1	
12		Screw	8pcs	KM5X10	
13	Enlarge System	Cabinets Connect Tube	4pcs	27x27x106mm	

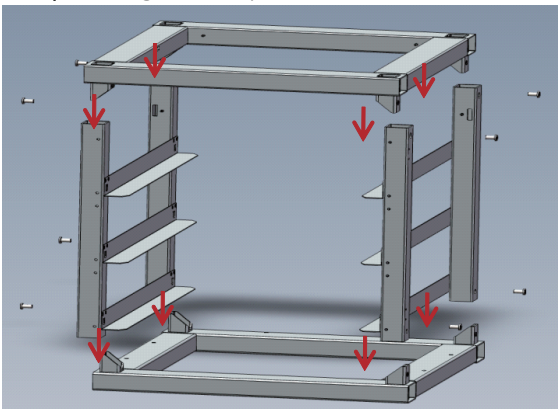
Tools to Prepare

No.	Item	Picture
1	#5 hex wrench	
2	socket wrench	
3	cross screwdriver	

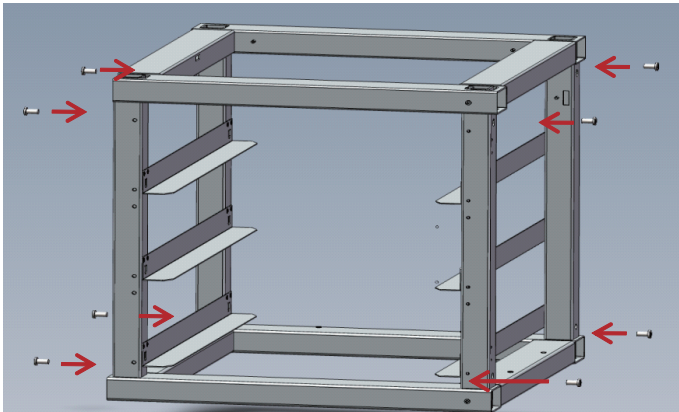
Installation Instructions

Form a Battery Rack in 3 minutes

Step 1. Align the square tubes and insert to each other.



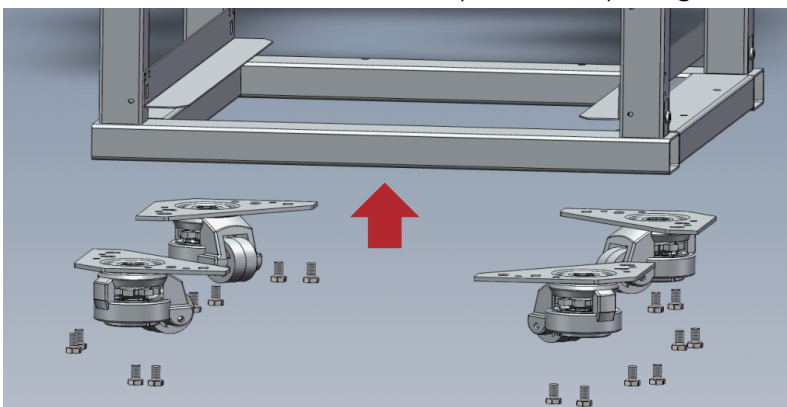
Step 2. Fix the frames to each other by 8pcs M8 screws provided with a #5 hex wrench.



Equip with Wheels for Mobile Purpose in 5 minutes

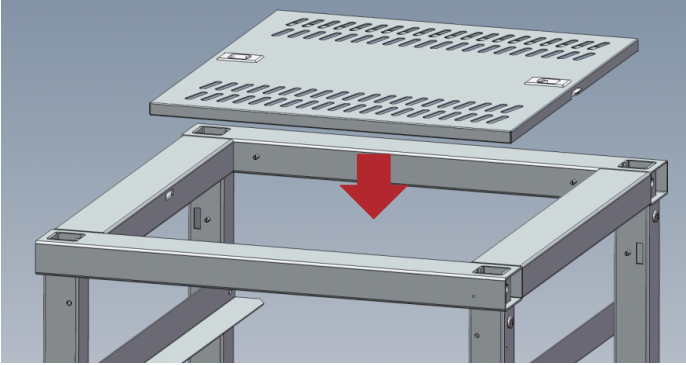
Step 3. Fastern each wheel to rack by 4pcs M8 screws with a socket wrench.

4 Wheels and 16 M8 screws provided in package.

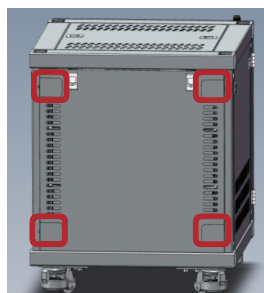
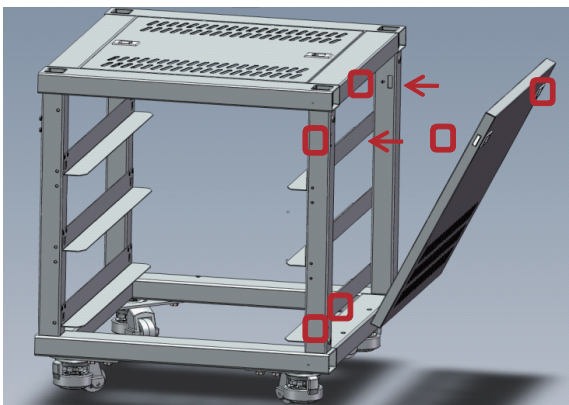


3 minutes Upgrade to a Cabinet

Step 4. Place the top cover plate on top frame and fix by pressing downward.



Step 5. Insert the side cover plate buckles into bottom frame slots. Press the upper side of the side cover plate into the side frame plate buckles. Follow above procedures for the other side and back cover plate.

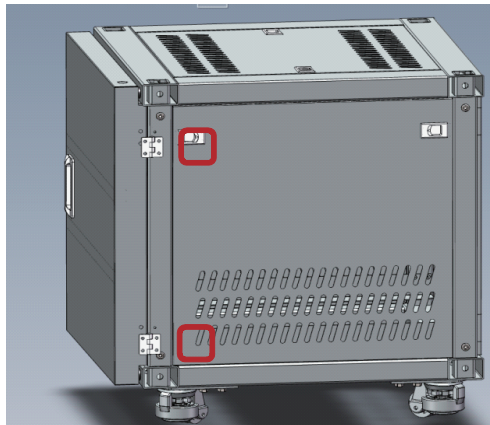


Four cable outlets are reserved on back cover plate. Choose appropriate one according to install scenario. Press to let the cables go through.

Step 6. Fix the door to cabinet with 2 hinges and 8pcs M5 screws.



Left Outward



Right Outward

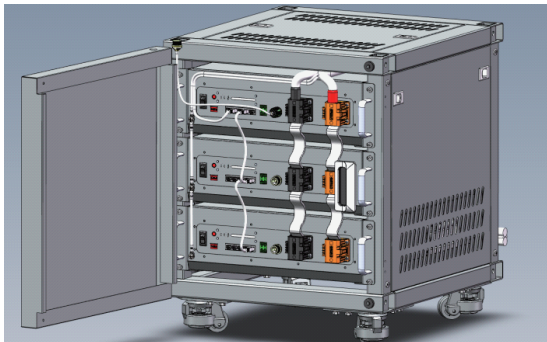
Symmetrical structured design allows the door to be installed either left or right outward rotation.



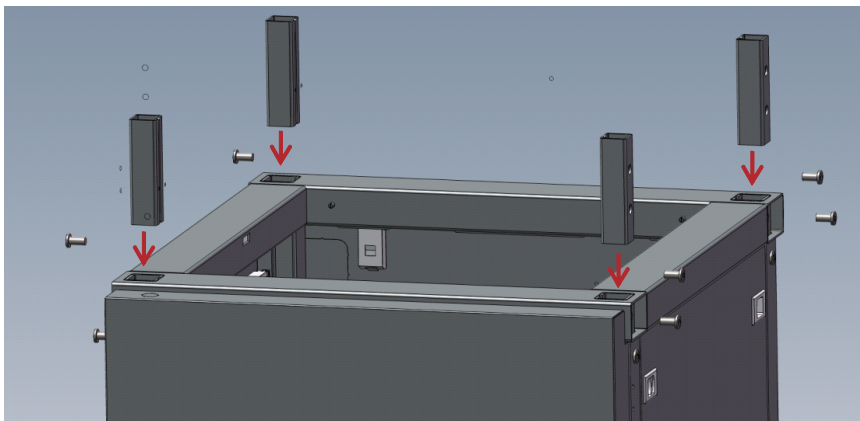
Wifi Connector Reserved on door

Enlarge the System

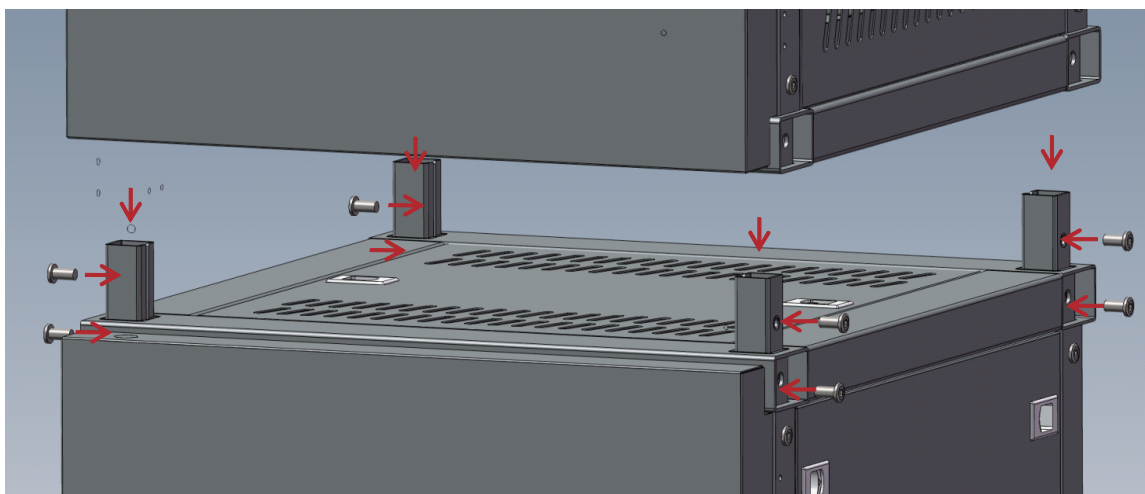
Step 7. A V-Box-IC done and it holds up to 3pcs V5α /V5° which is 15kWh.



Step 8. Insert 4 square tubes into slots of down cabinet.



Step 9. Connect the upper cabinets to down cabinet by aligning square tubes to slots accordingly.
Fix the two cabinets to each other with screws



Done

