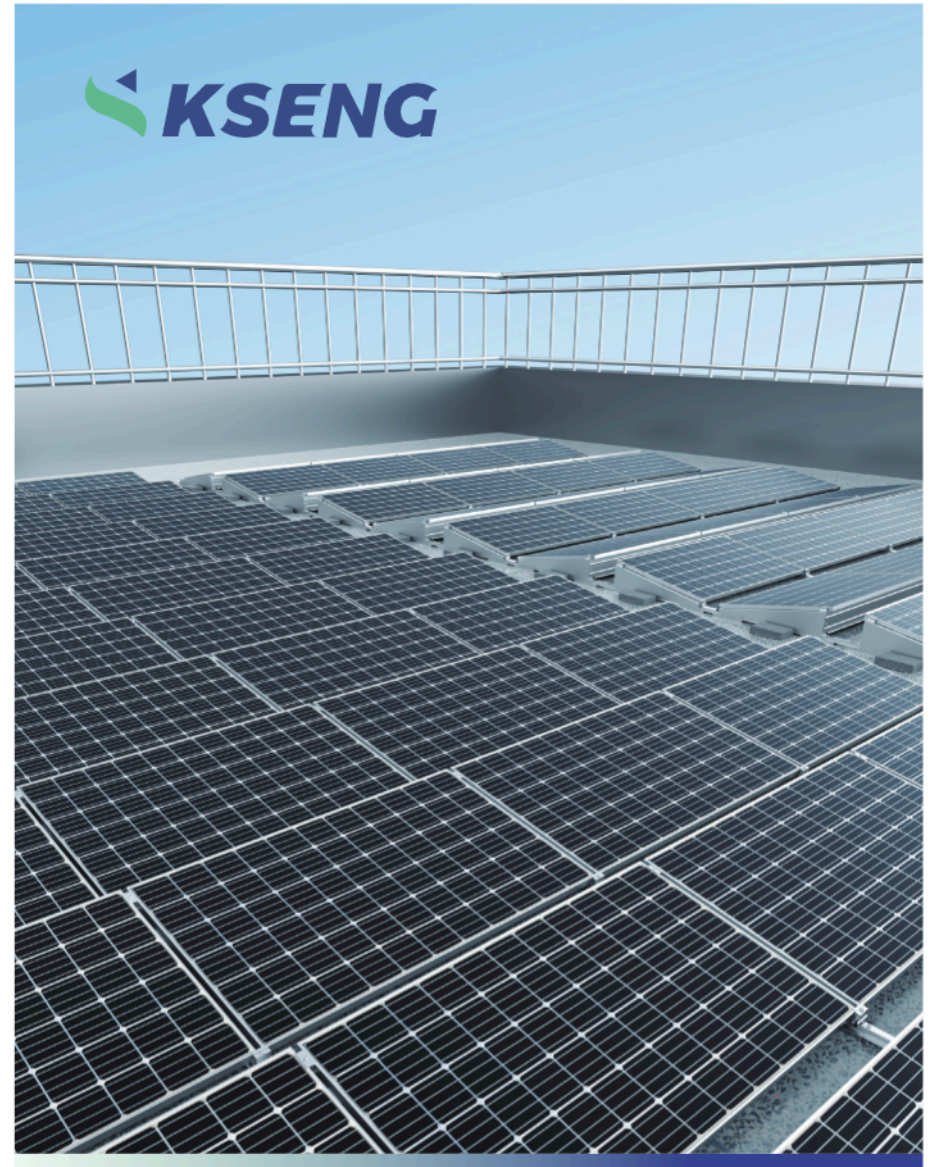




EMPOWERING OUR WORLD
WITH CLEAN ENERGY



INSTALLATION MANUAL

Ballast system in east and west direction



Xiamen Kseng New Energy Co., Ltd.

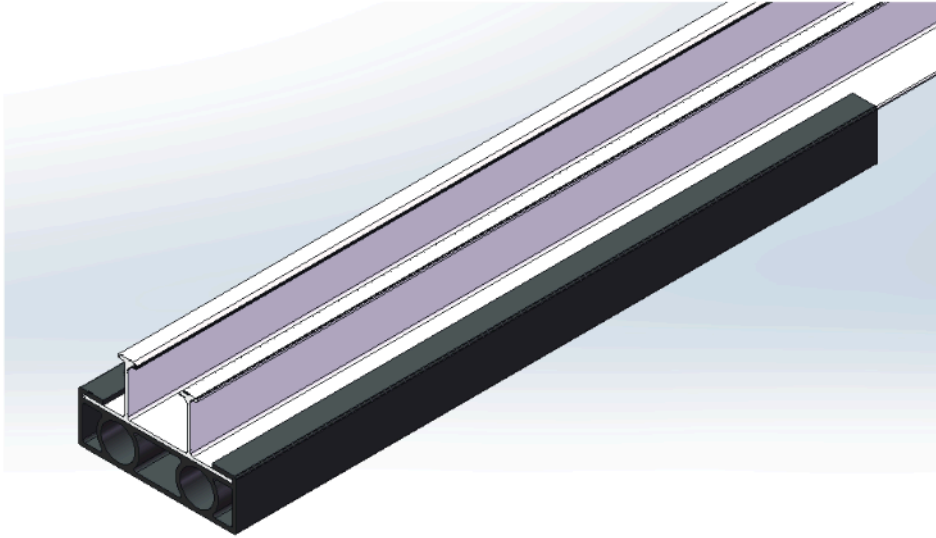
Email: info@xmkseng.com | **Web:** www.xmkseng.com | **Tel:** +86 0592-5777971 / +86 0592-5795673

Office Add: 6&11F, Huixin Wealth Centre, No. 891, Fanghu North 2nd Rd., Huli Dist., Xiamen, Fujian, China.

www.xmkseng.com

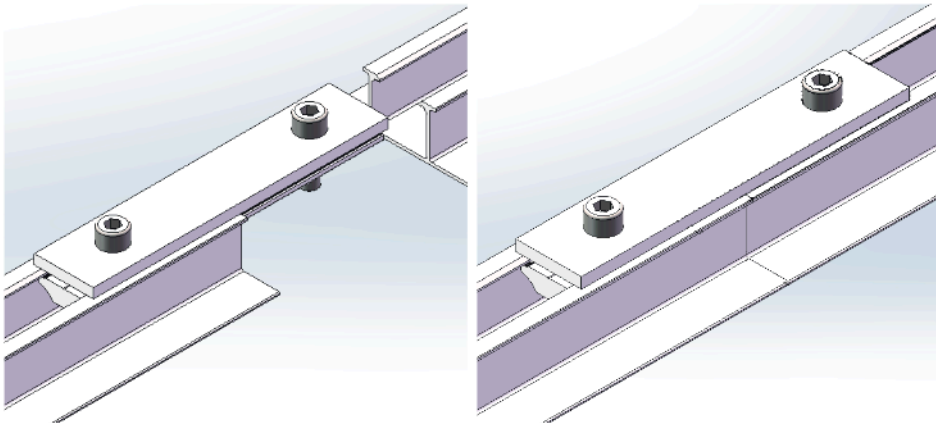
1. Locate rail position

1.1 Install EPDM rubber onto the rail



1.2 Locate the rail position as the drawing shows, and mark the rail position after placing it

1.3 Connect the remaining rails through rail connector and place them according to the location in the drawing, then tighten the bolts

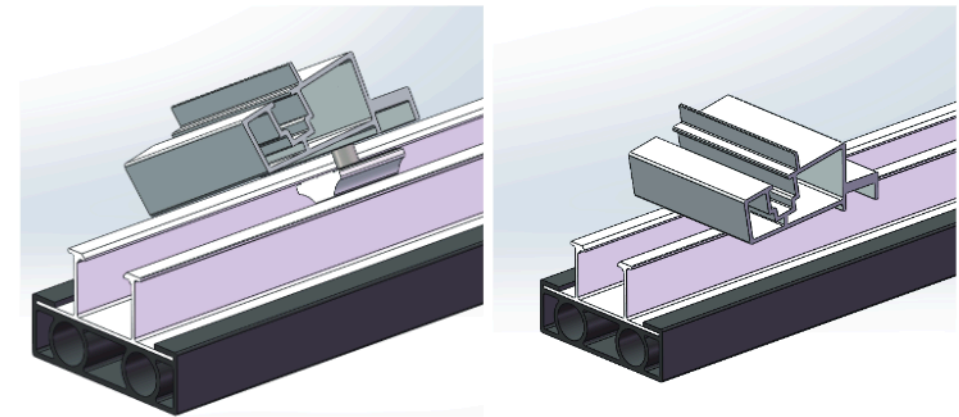


1.4 As shown in the picture after installation

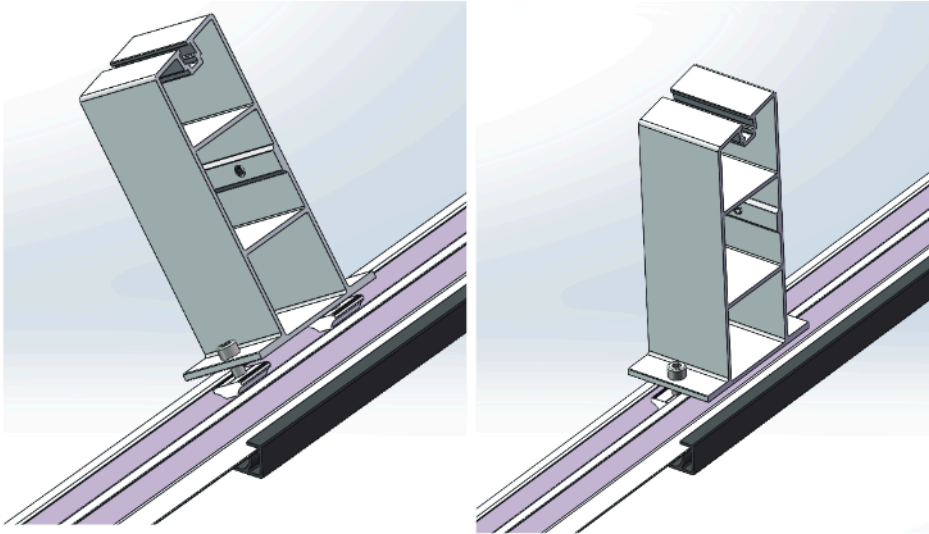


2. Install front/rear leg

2.1 Place the front leg as the drawing shows, fix the front leg with M8*25 bolts and clamps, then adjust and lock the corresponding bolts



2.2 Place the rear leg as the drawing shows, fix the rear leg with M8*25 bolts and clamps, then adjust and lock the corresponding bolts

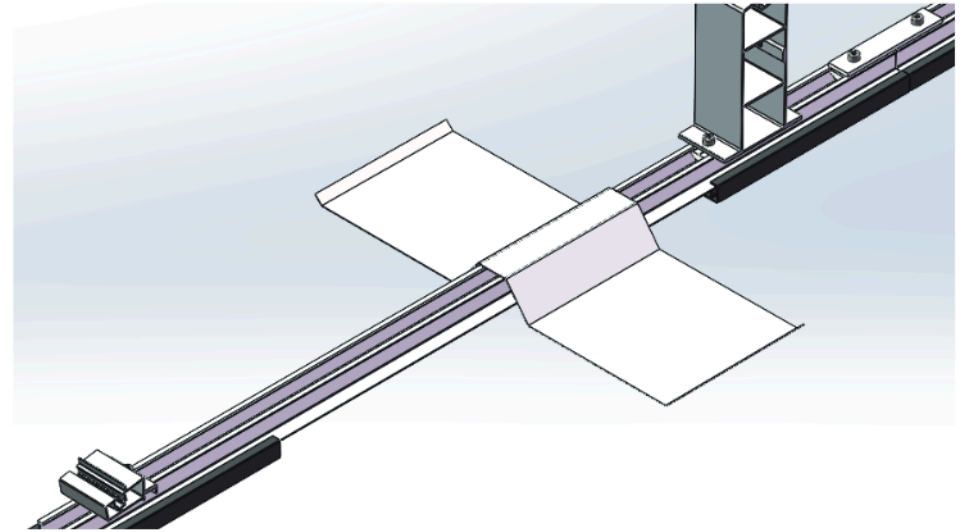


2.3 Repeat the above steps to install all front and rear legs, making sure that the top surface of the front/rear legs in the same row are at the same height to ensure the normal installation of panels

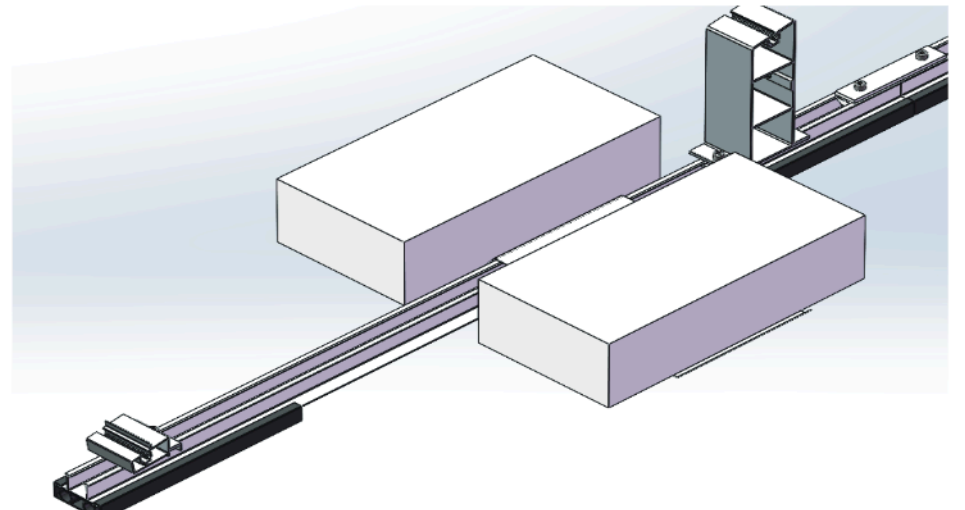


3. Install ballast

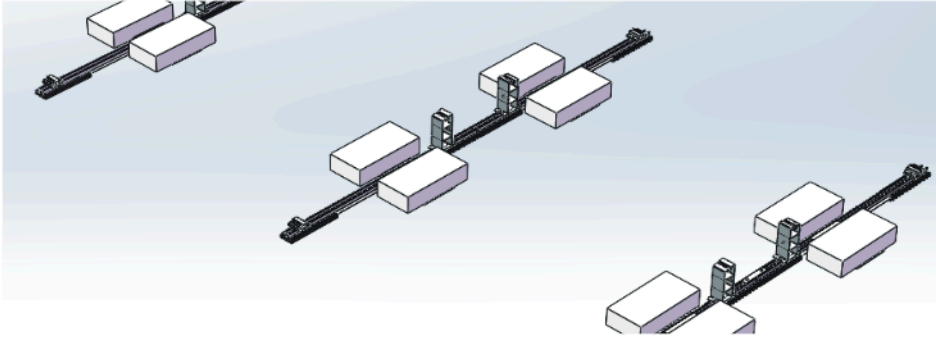
3.1 Place the ballast plate on the rail as the drawing shows



3.2 Place the ballast on the ballast plate

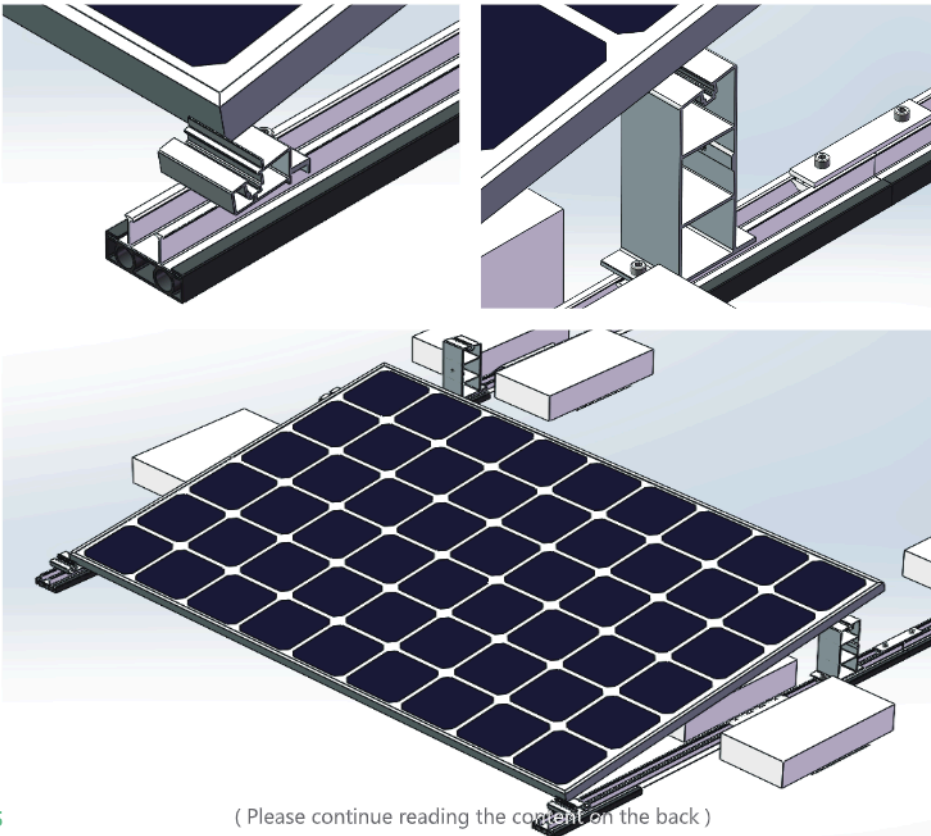


3.3 Repeat the above steps to complete the ballast placement



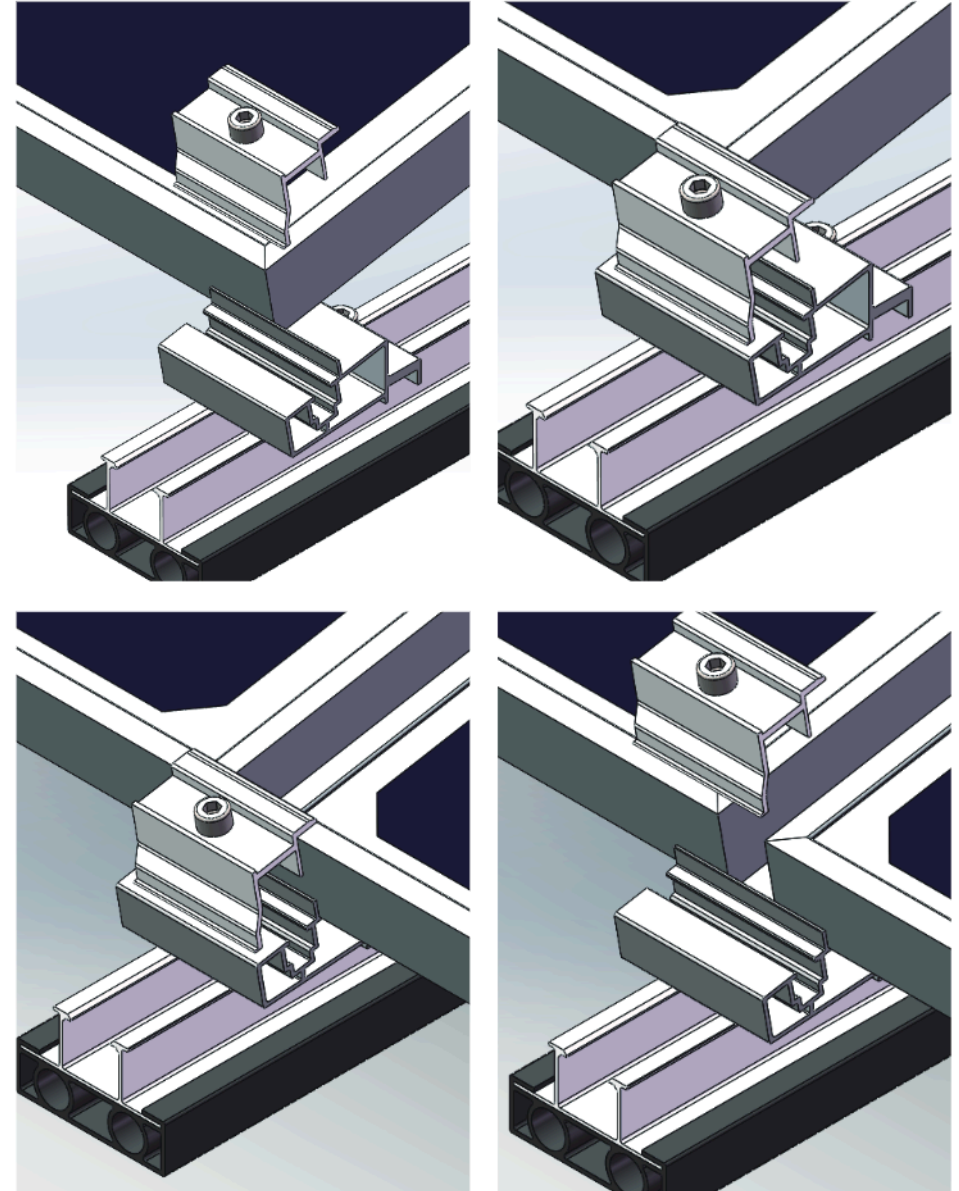
4. Install panel

4.1 Place the panel on the front leg slot and the slope of the rear leg



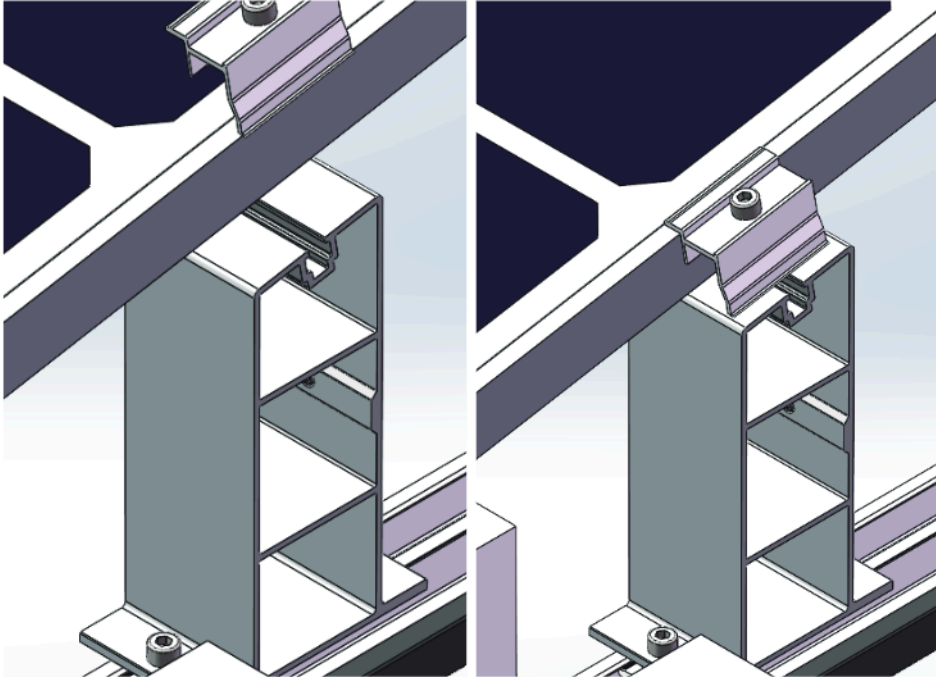
(Please continue reading the content on the back)

4.2 Bottom clamp installation: press the bottom clamp into the card slot as the picture shows, lock the bolt, and press the panel tightly

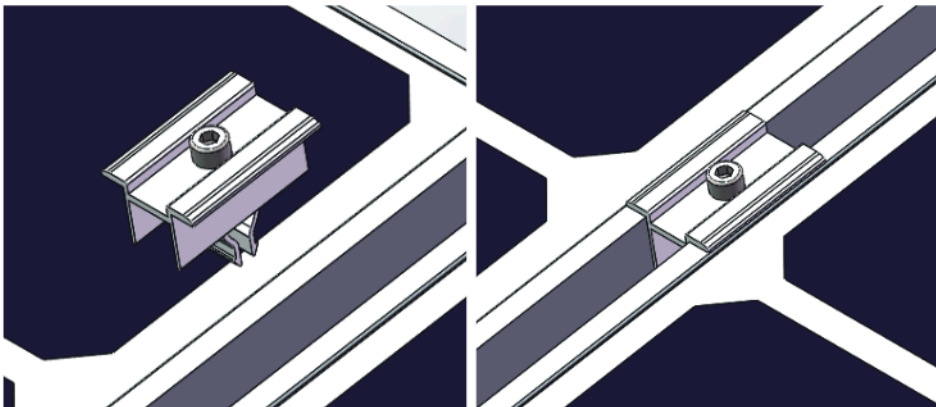


(Please continue reading the content on the back)

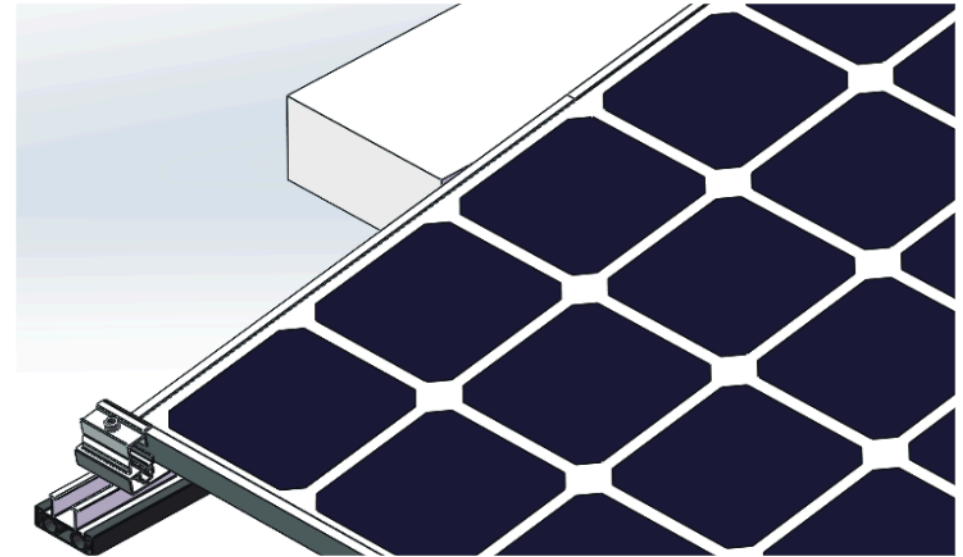
4.3 End clamp installation: press the end clamp into the card slot as the picture shows, lock the bolt, and press the panel tightly



4.4 Inter clamp installation: place the panels in sequence according to the drawing as the picture shows, and place an inter clamp between two panels, then tighten the bolts



4.5 The remaining end clamp installation: place the panels in sequence according to the drawing as the picture shows, on the other side of the same row of panels, repeat steps 4.2/4.3



5. Complete installation



Purchaser/End User/Installer Notice:

Purchasers should confirm whether they are able to install this product and obtain relevant permits in accordance with local laws and regulations, including but not limited to government, community, adjacent property owners, and property rights holders.

Purchasers should engage qualified installers, professionals, or self-install only where permitted by law.

Purchasers should also ensure that the installation supports the building or its accessories safely and meets installation requirements, and is sufficient to support the product and its photovoltaic power generation system for over 20 years.

Purchasers should not install or use this product in environments with corrosive air or water, such as acids or alkalis in the vicinity.

Purchasers should fully assess and bear the consequences of product installation and usage and their impact on the surroundings, including but not limited to potential lightning strikes, electrical or magnetic conduction, light reflection/pollution, obstruction of passage, collision with people, snow accumulation and ice shedding, depreciation of buildings, and their consequences.

Purchasers are solely responsible for safety during installation, throughout the installation process, and subsequent usage, and/or any impact on third parties.

After installing the product, purchasers or their appointed installers should carry out waterproof, leak-proof, and anti-seepage construction at the junction of the product and the building to protect the building supporting the product, and conduct periodic inspections and maintenance in the future (at intervals not exceeding 1 year).

Purchasers should be aware that nothing other than the photovoltaic power generation system should be supported on this product, and no additional weight should be placed on the product during installation or subsequent usage, particularly human suspension or leaning. It should not be used for any purpose other than supporting photovoltaic brackets. Purchasers should be aware that nothing other than the photovoltaic power generation battery system should be supported on this product, and no additional weight should be placed on the product during installation or subsequent usage,

particularly human suspension or leaning. It should not be used for any purpose other than supporting photovoltaic brackets.

We shall not be liable for any consequences resulting from failure to comply with local legal requirements and/or failure to follow instructions, warnings, etc., during the installation of this product, nor shall we be liable for any losses to the supporting building or any third party resulting from the installation process or subsequent usage, nor shall we be liable for any multiple installations, disassembly and reuse, or second-hand purchases of this product.

