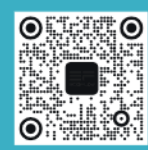


ECOFLOW

QUICK START GUIDE

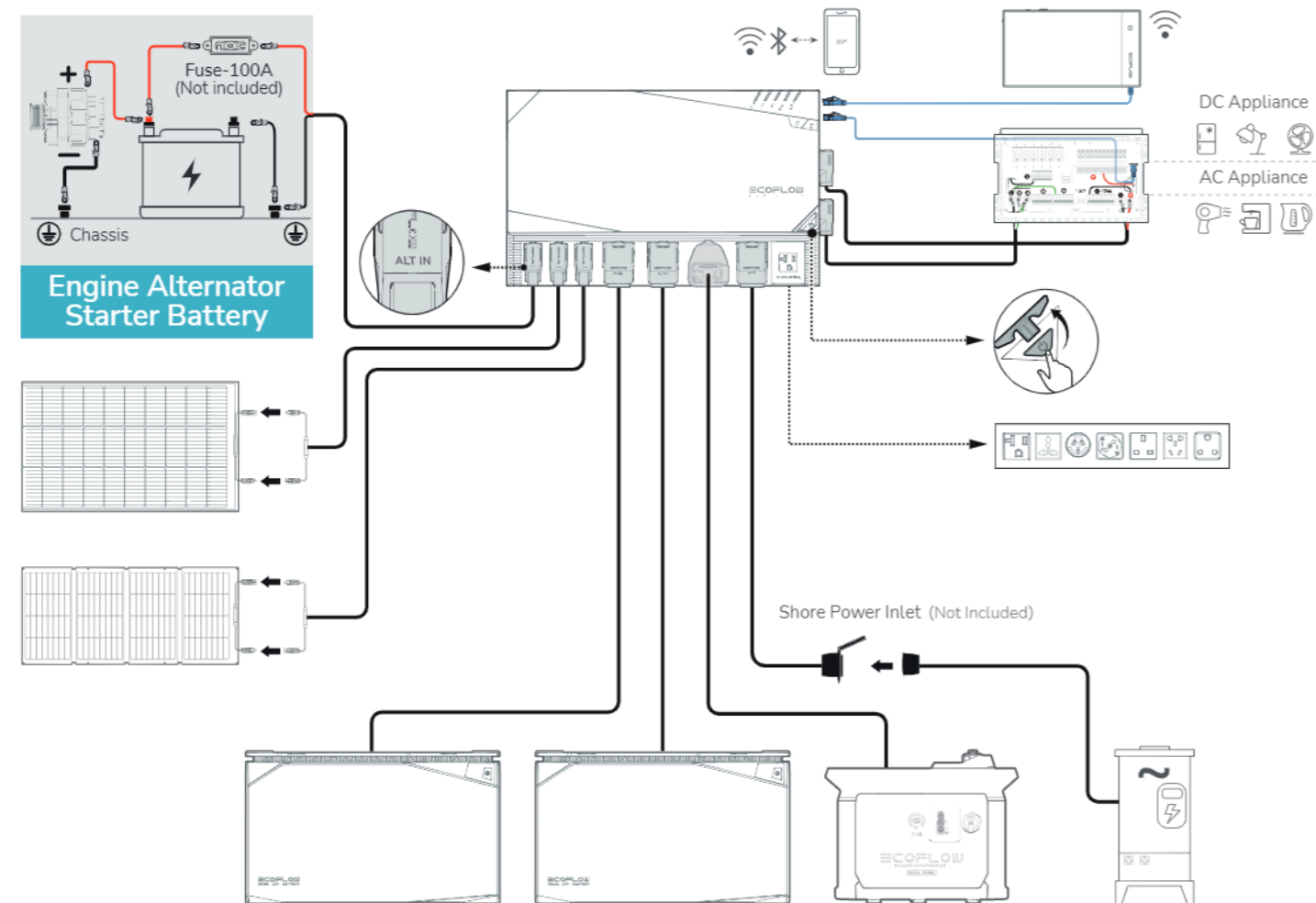


For details, please scan the QR code or visit <https://www.ecoflow.com/support/download/power-kits>

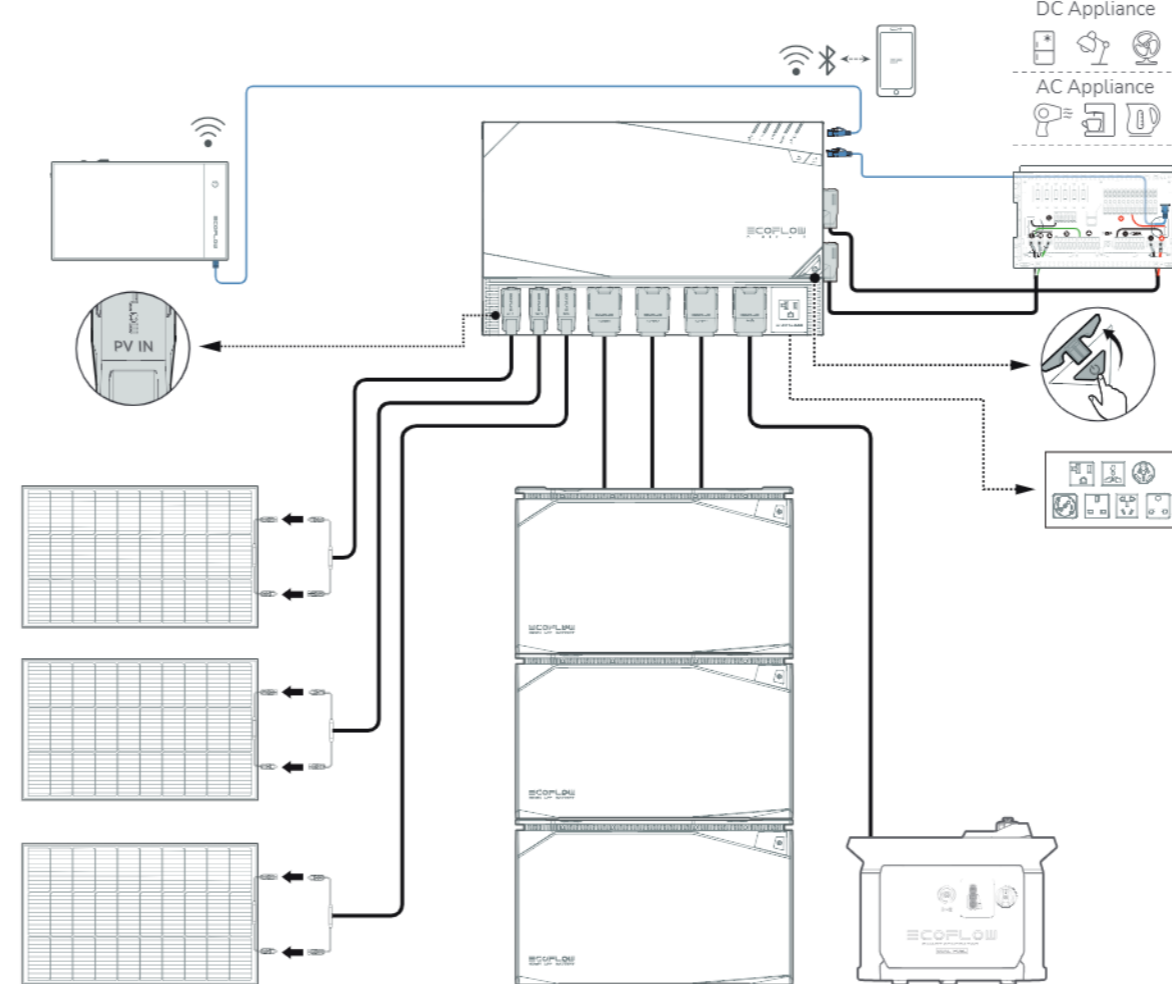


Raccolla carta

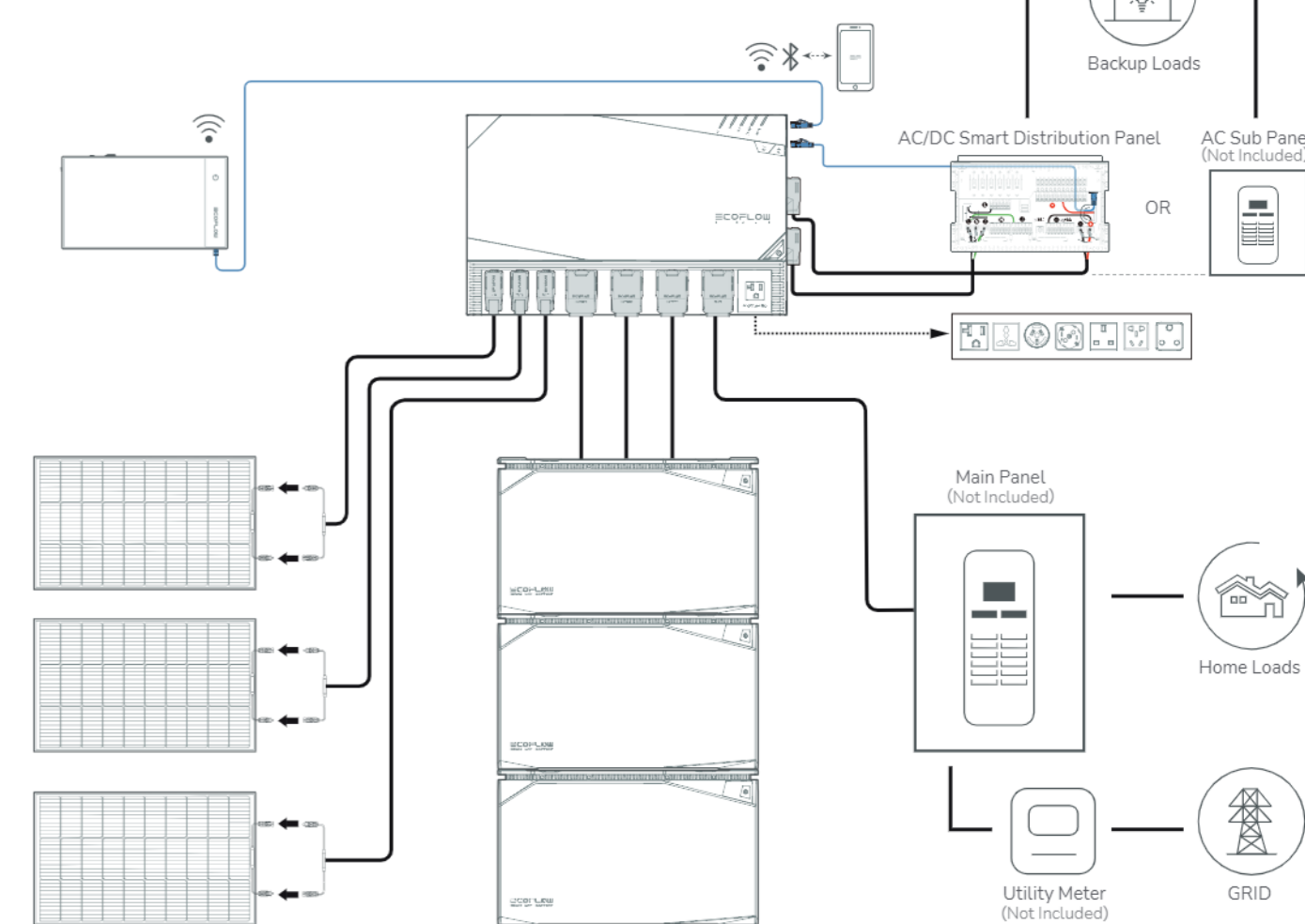
Recreational Vehicle (RV)



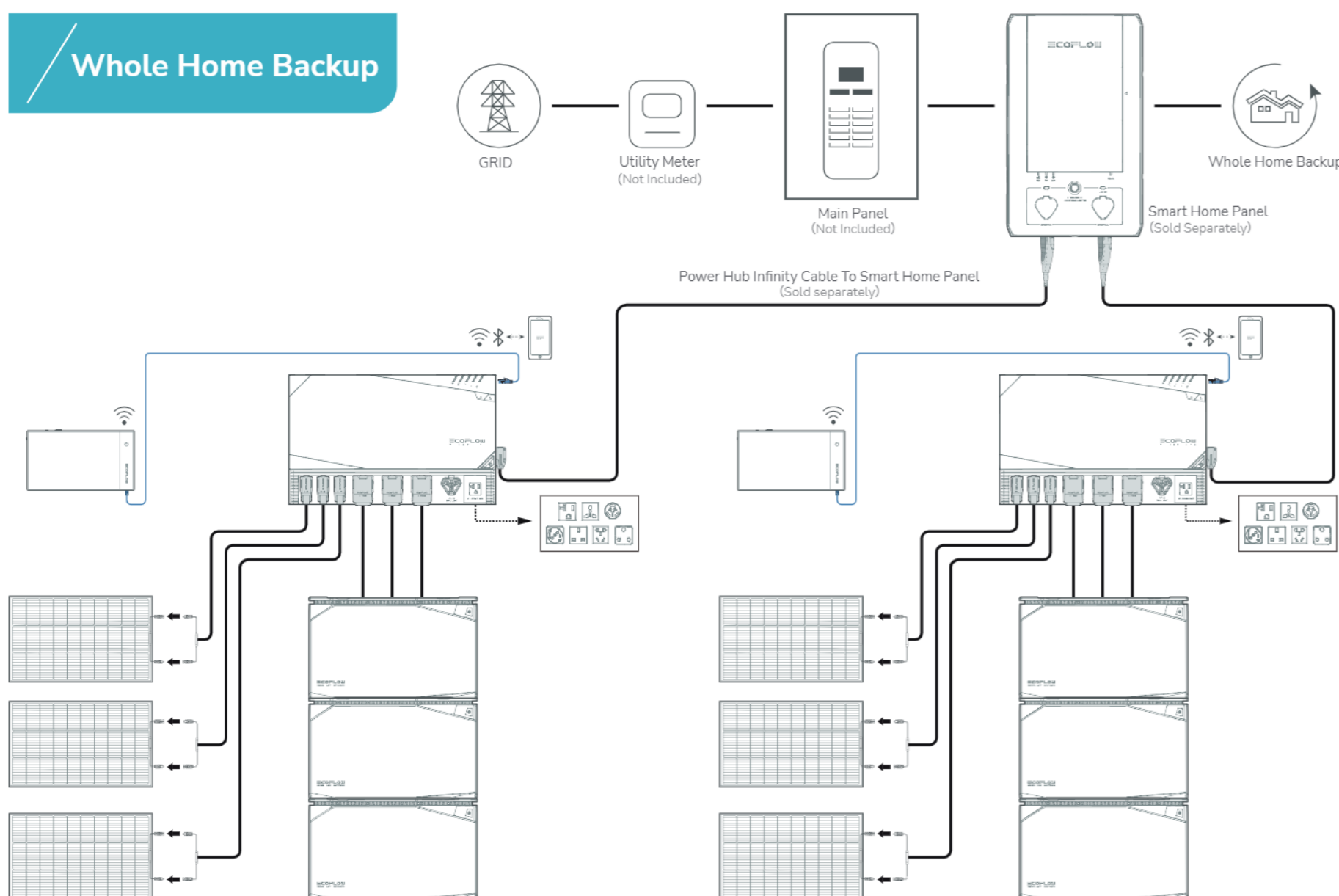
Off Grid Builds / Self Consumption



Partial Home Backup



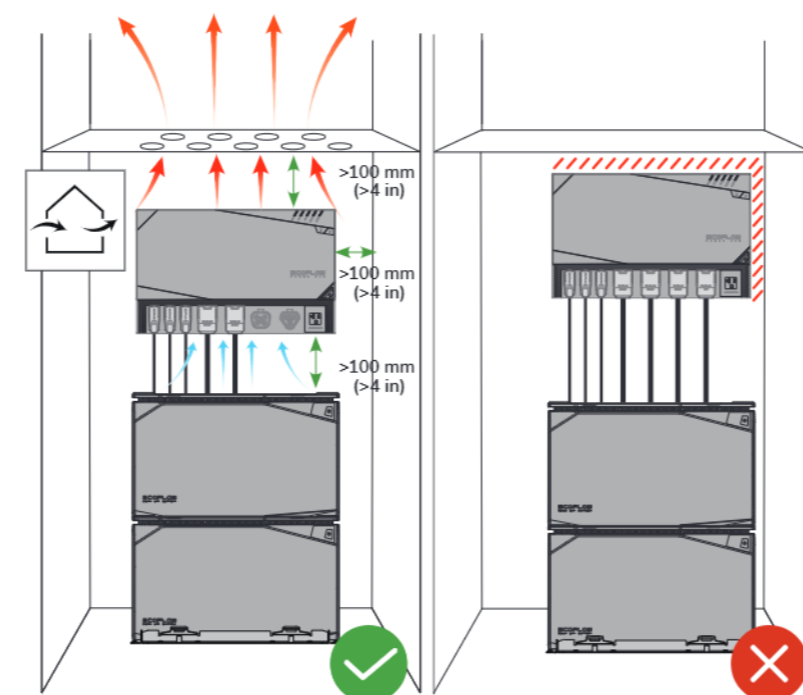
Whole Home Backup



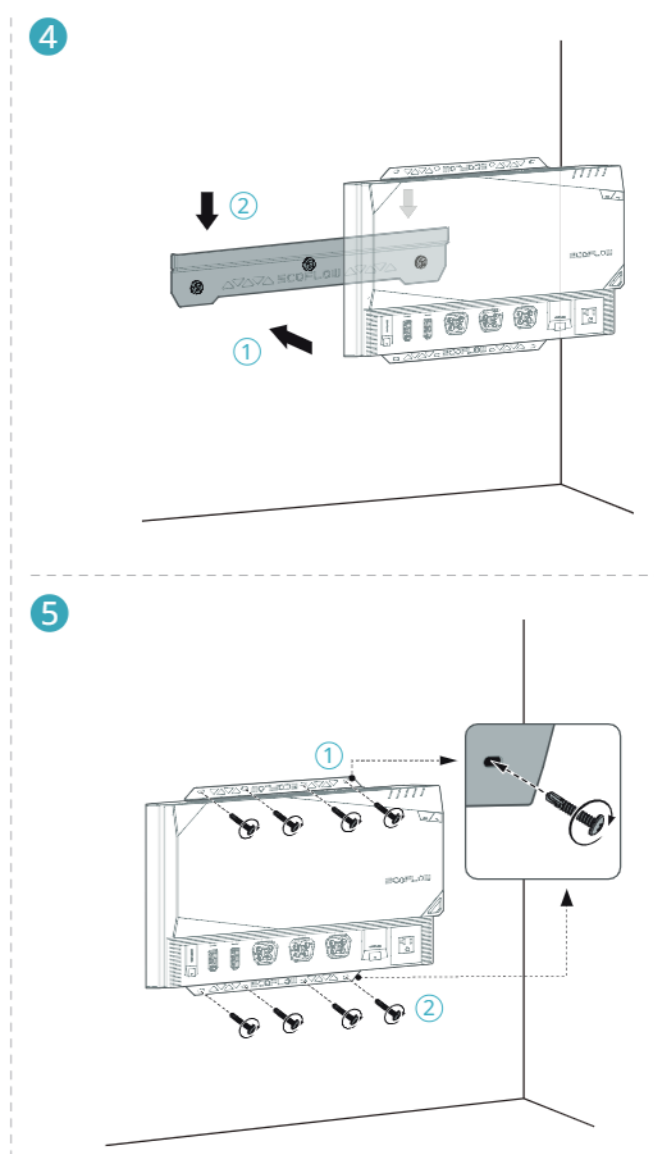
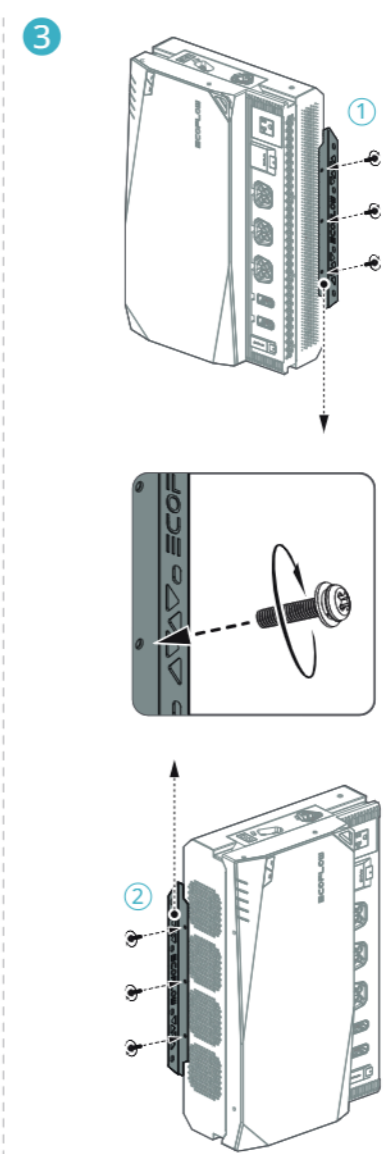
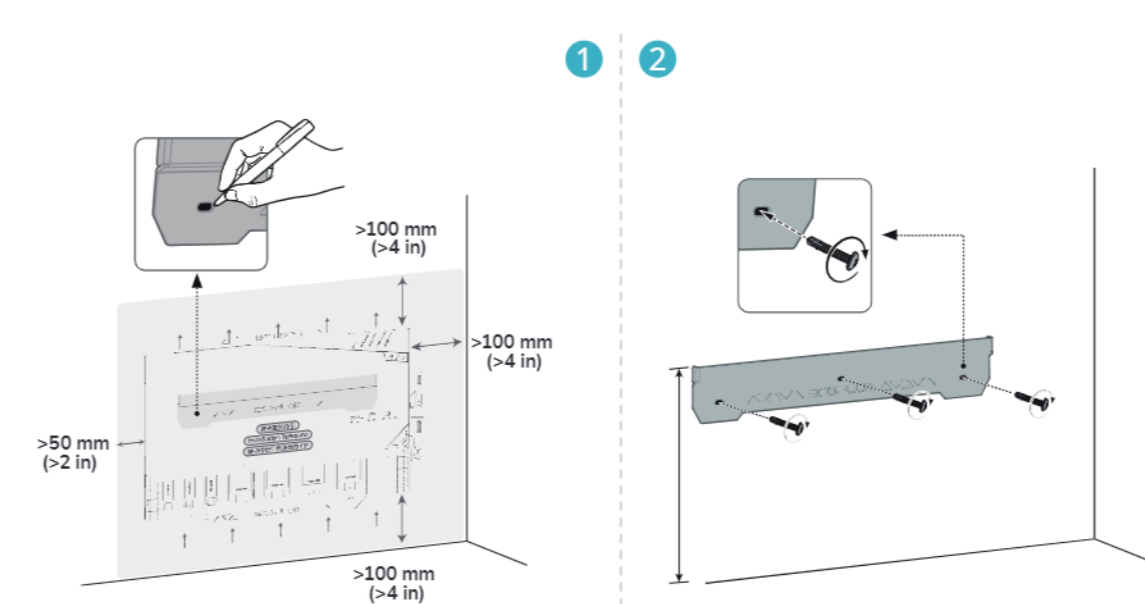
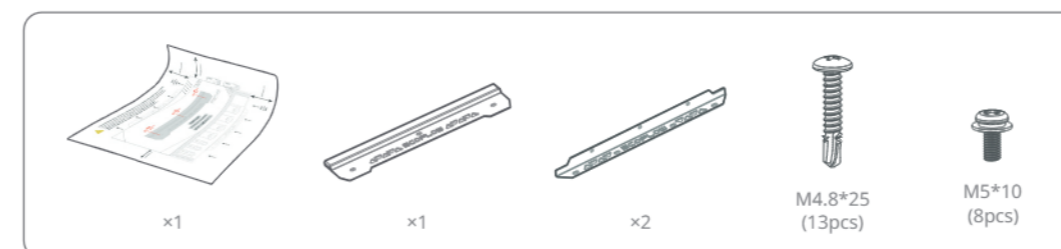
1 / Power Hub

! Ventilation is a MUST to prevent the Power Hub from overheating.

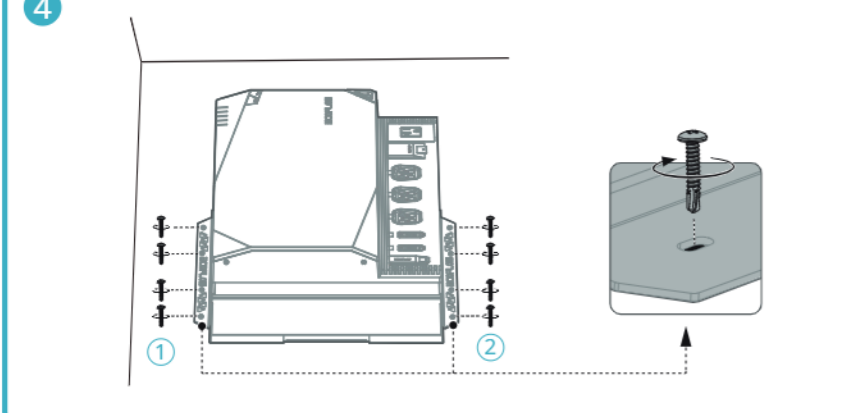
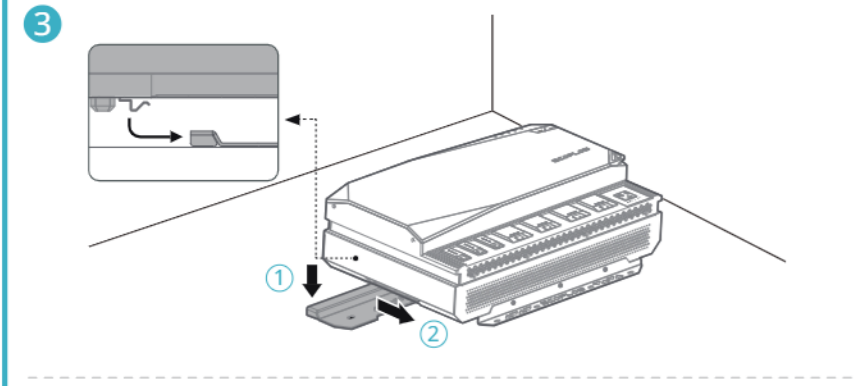
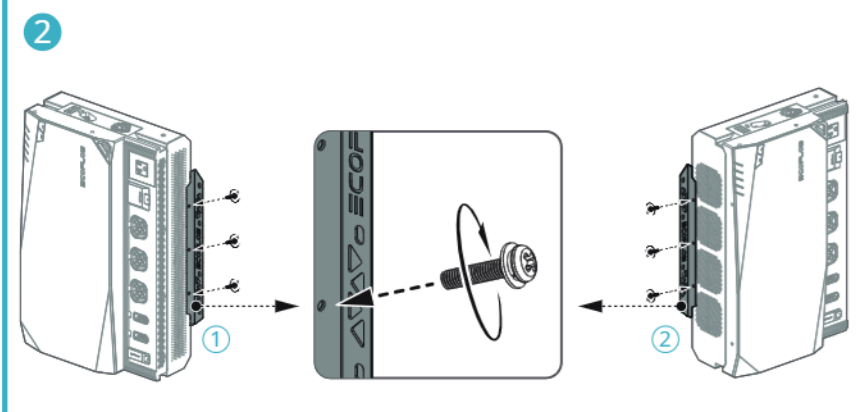
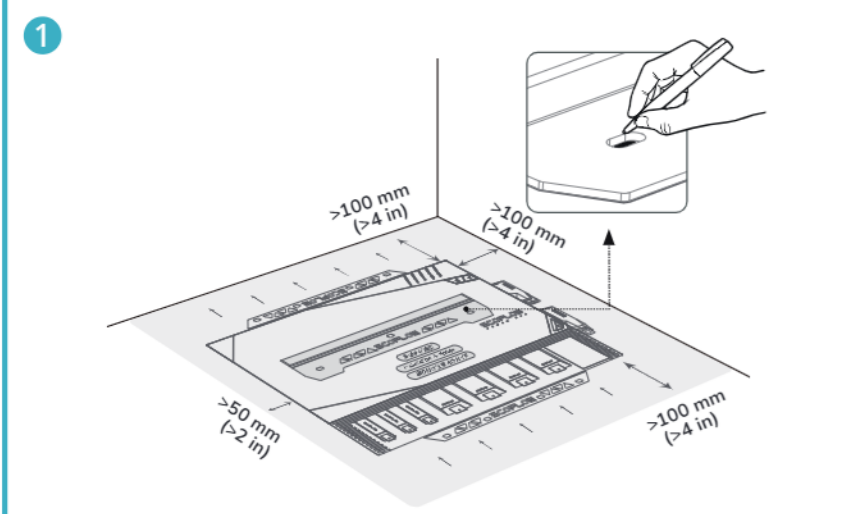
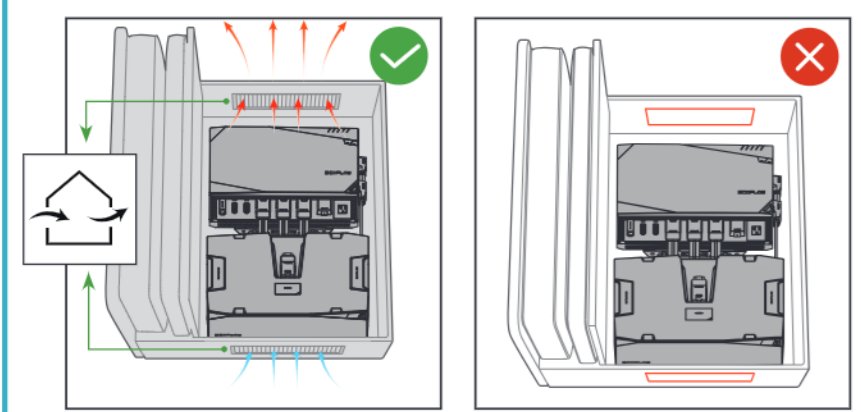
CAUTION!



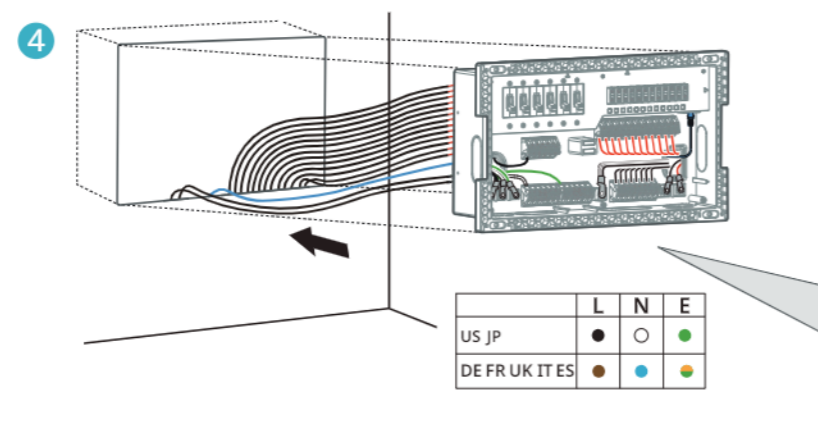
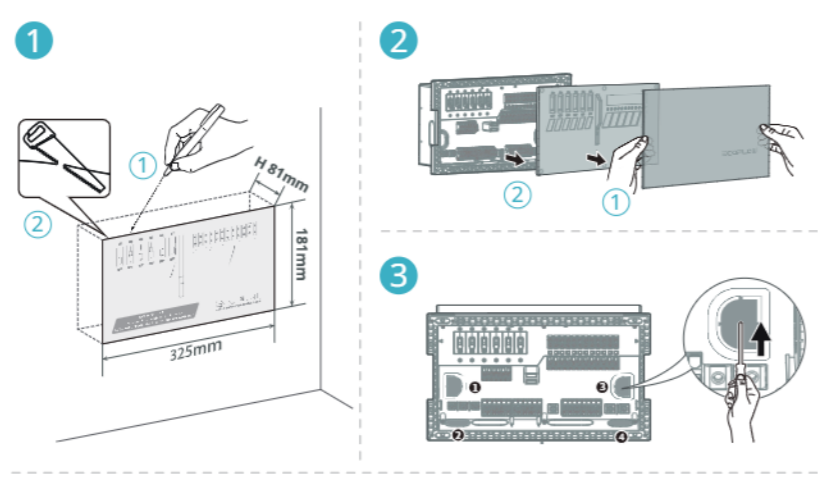
Wall Mounting



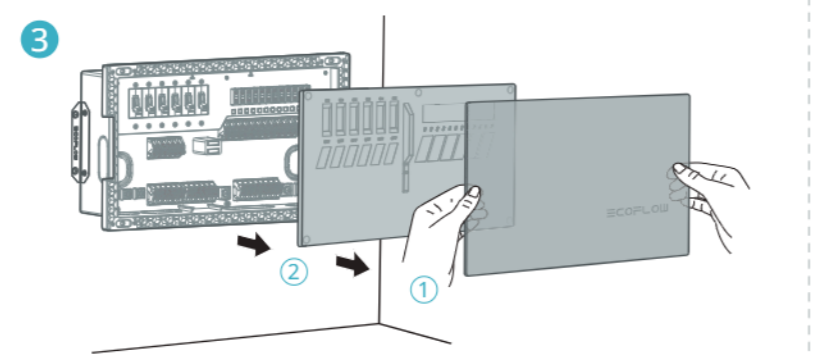
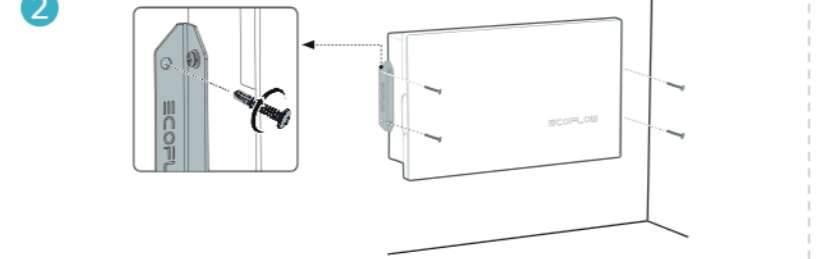
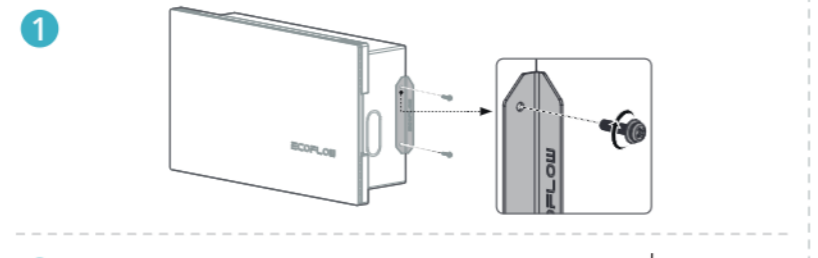
Surface Mounting **CAUTION!**



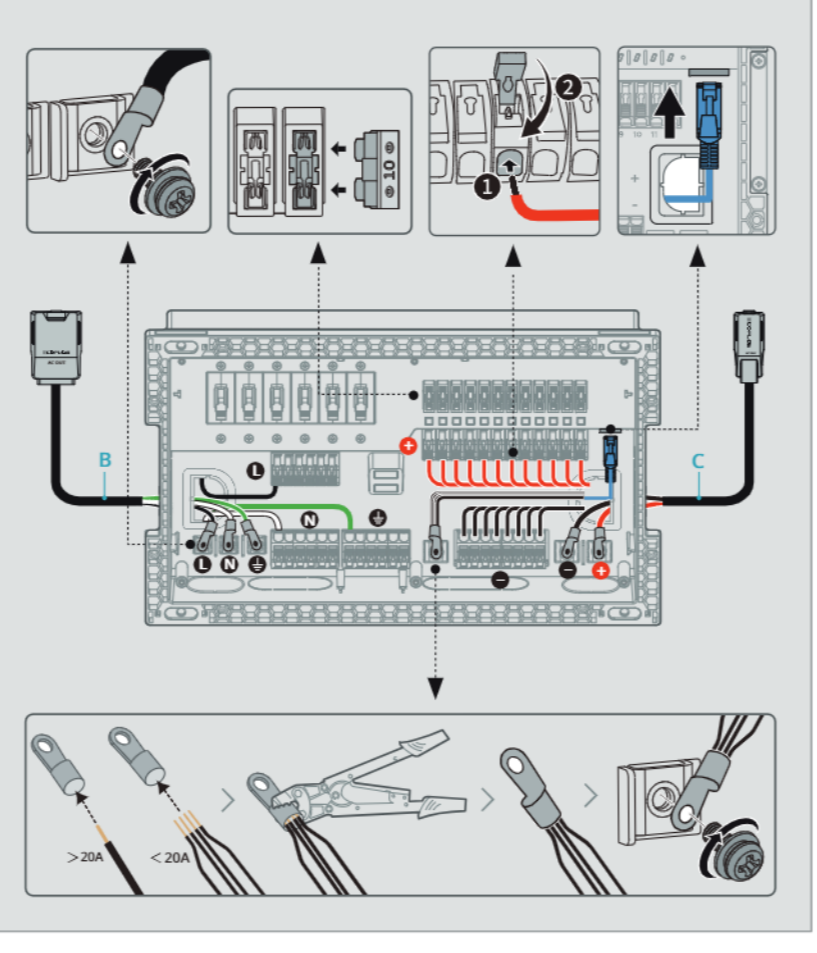
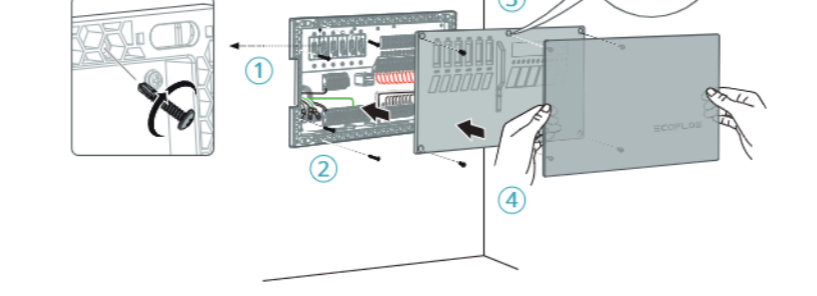
2 / AC/DC Smart Distribution Panel



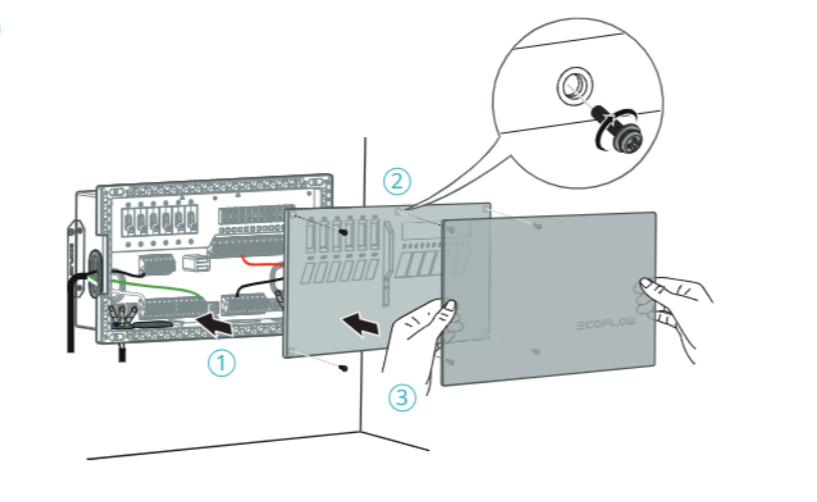
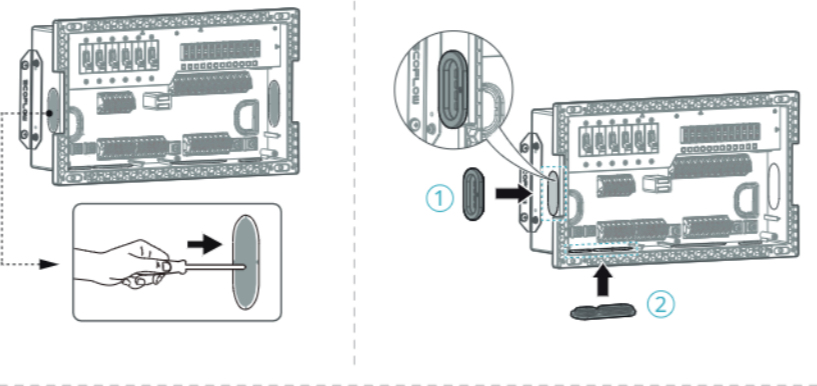
Wall Mounting



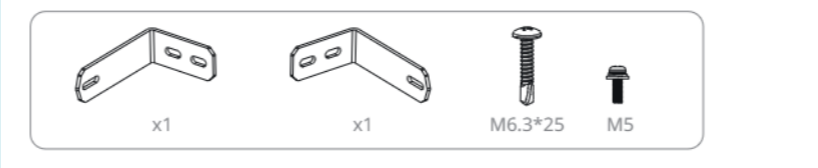
5



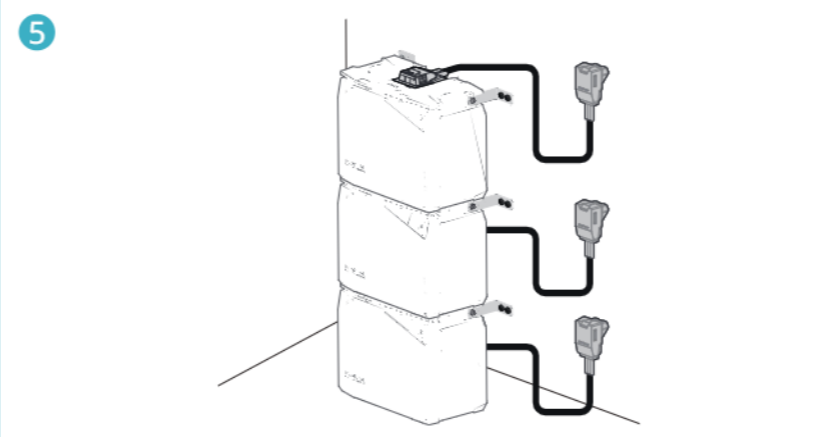
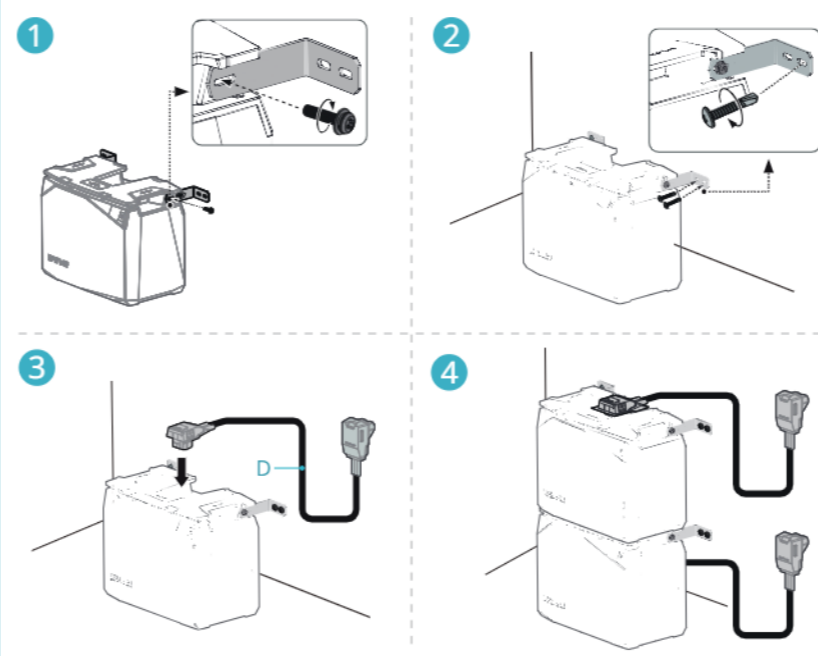
4



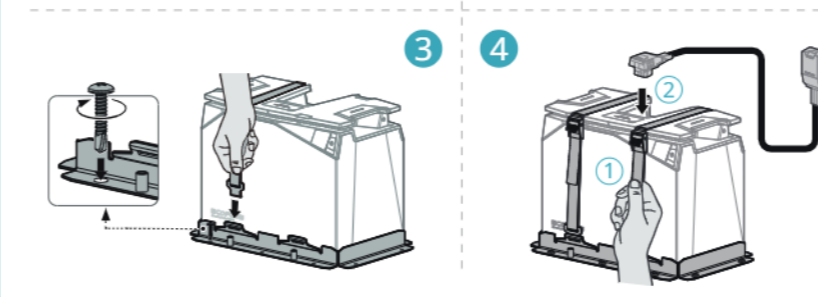
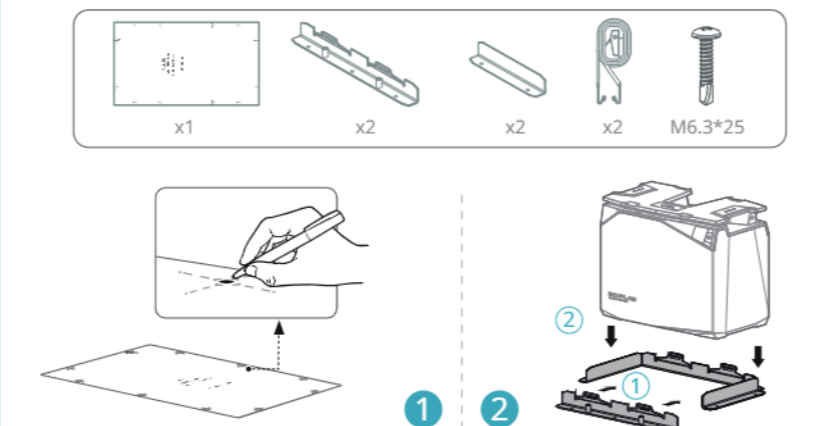
3 / 2KWh / 5KWh LFP Battery



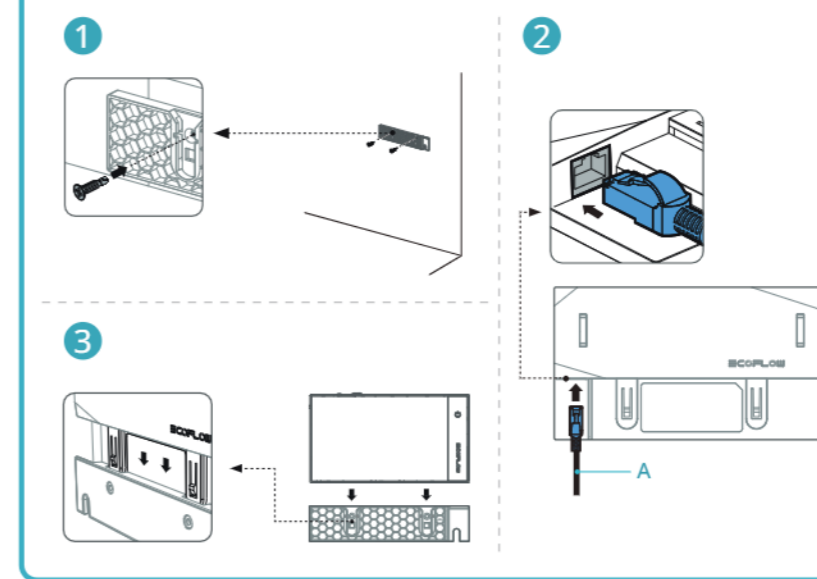
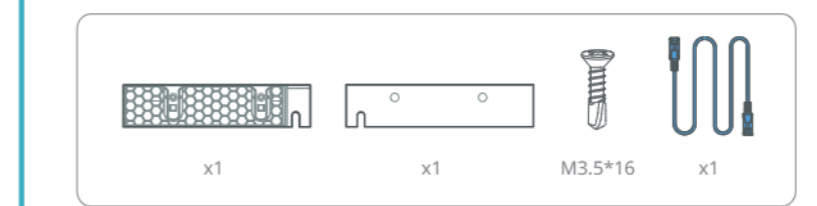
Stacking Installation



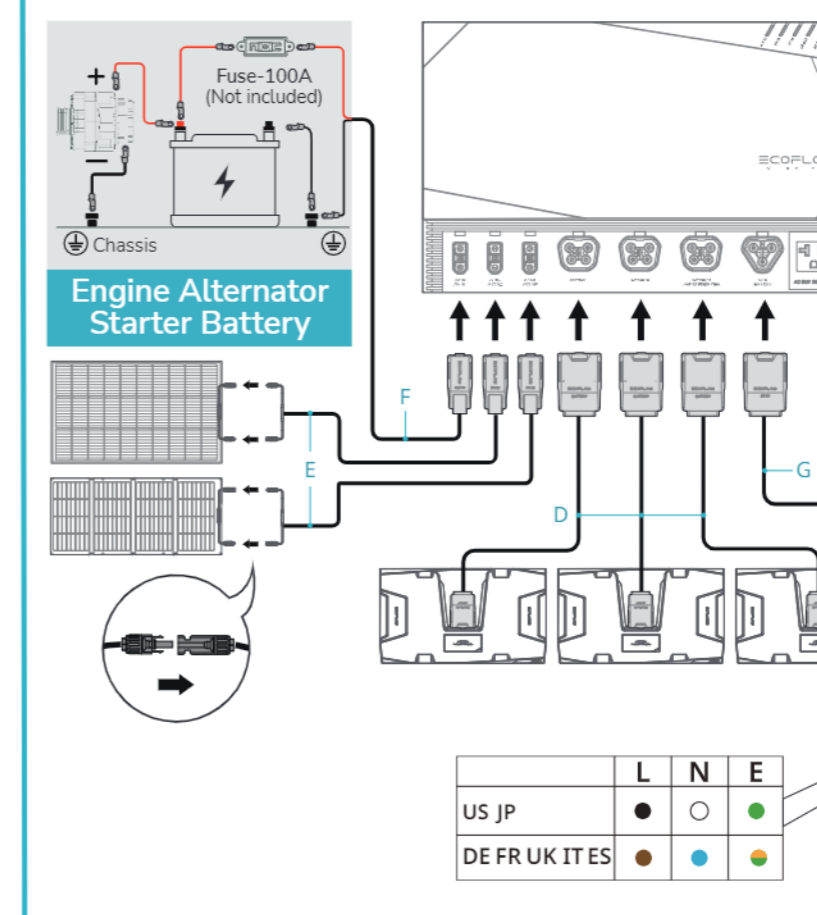
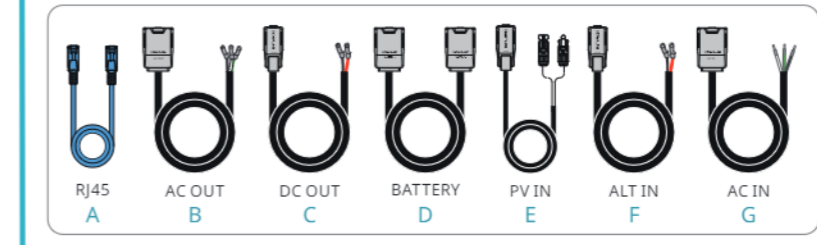
Surface Mounting



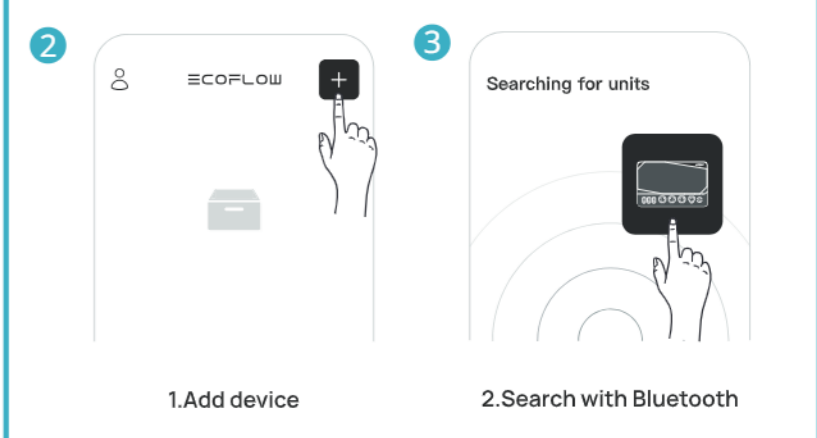
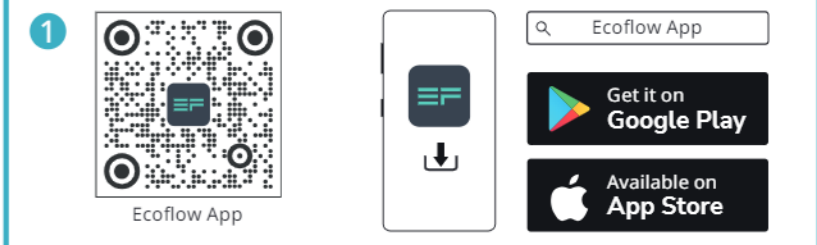
4 / Power Kit Console



5 / Connecting Components



6 / EcoFlow App



4. ONLY SUPPORTS 2.4GHZ WIFI



CAUTION!
Each port can be connected to AC/DC Smart Distribution Panel, Power Kit Console, or RJ45 CAN bus terminator. Both ports **MUST** be connected to stabilize communication throughout the system. **Not doing so will cause the system to malfunction.**