



**SPR-100 Ultra 120W 12V Black-Frame**

**Art-No: 3-01-001520**



# Maximum Performance



## important features

- Above-average solar yield on the smallest area: 120W with smallest dimensions
- 1000-times proven technology and quality
- patented Back-Contact-Cell technology
- groundbreaking module efficiency and solid light characteristics
- universally applicable in private and commercial projects

## Technical Data

Article number:	3-01-001520
EAN:	4250983241242
manufacturer part no:	001520
System voltage:	12V / DC
Module voltage(Vmp):	19,8V
Generator power(Wp):	120W
max. current(Imp):	6,05A
Open circuit voltage(Voc):	23,35V
Short circuit current(Isc):	6,41A
max. string voltage:	600V DC
Cell type	monocrystalline SPR Cells
Ambient temperature:	-40°C - +85°C
Temperature Coefficient V:	-0,36%/°C
Temperature Coefficiency-A:	+0,07%/°C
Temperature Coefficient W:	-0,38%/°C
Dimensions (LxBxH):	1055 x 540 x 35mm
Gewicht:	6,5 kg



### About us

Offgridtec GmbH  
Im Gewerbepark 11  
84307 Eggenfelden

### Contact

Tel +49 8721 91994-00  
Mail info@offgridtec.com

### Onlineshop

[www.offgridtec.com](http://www.offgridtec.com)



Download on the  
**App Store**



GET IT ON  
**Google Play**

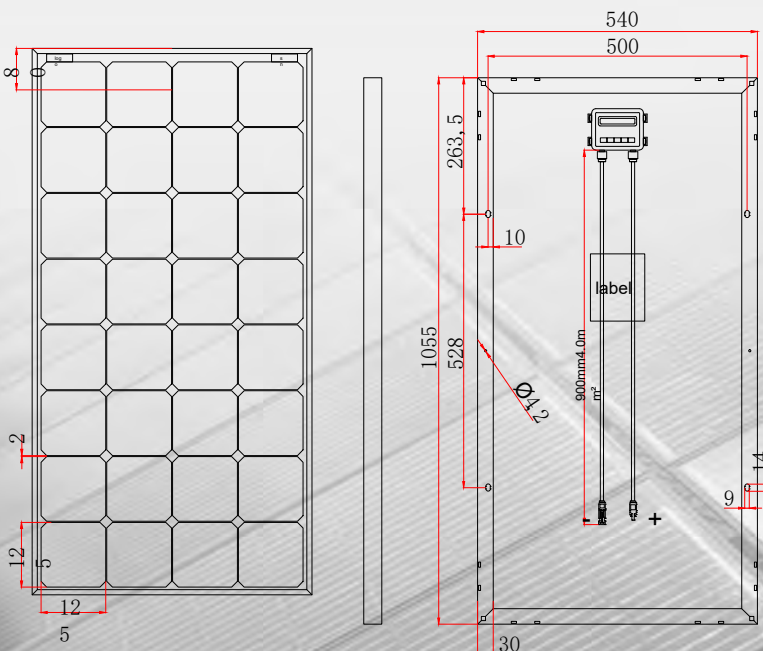
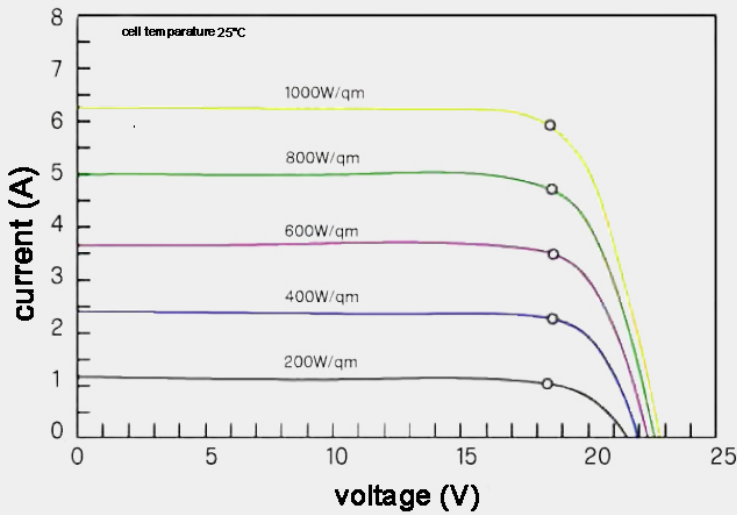
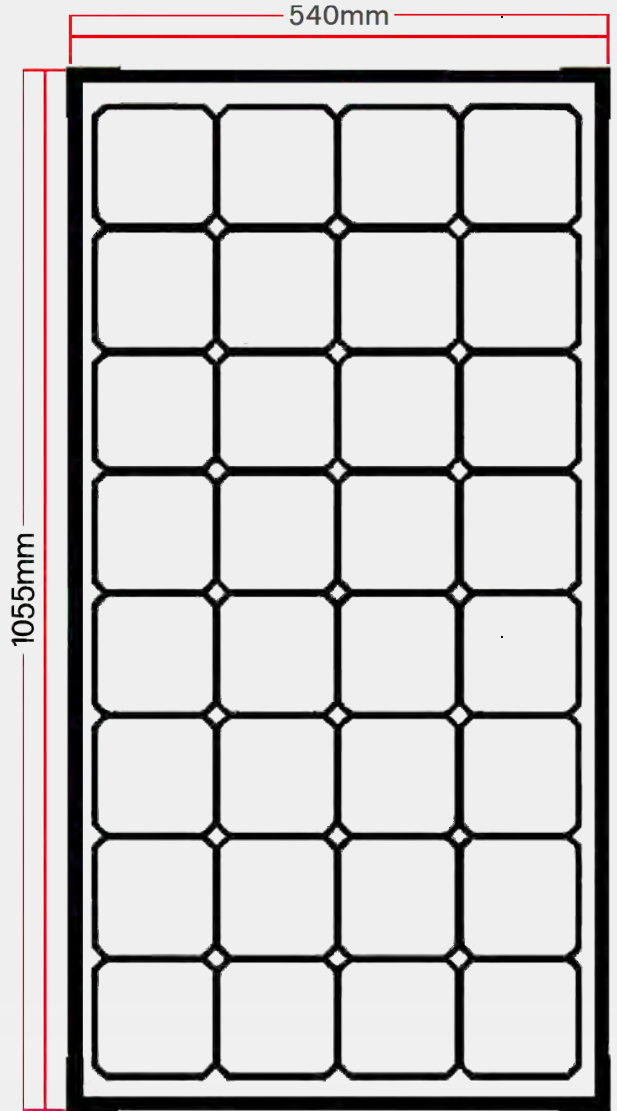


# SPR-100 Ultra 120W 12V Black-Frame

Art-No: 3-01-001520

## Specifications

Cell size:	125 x 125mm
Cell arrangement:	4 x 8
Cell-Fabricant:	Sunpower Corp.
Protection class of junction box:	IP67, waterproof
Bypass diodes:	2 pcs.
Solar plug type:	MC4
Length of connection cables:	90cm
Mounting type:	ABS spoiler or rail system



## Guarantees

Our SPR solar modules come with a 5-year product guarantee and a linear performance guarantee of 10 years on 80 percent of the rated output.