

# ANKER SOLIX

LIVE IN POWER

Our mission is to enable everyone everywhere with energy independence,  
to power on a sustainable future together.



Introducing a New Storage Solution for Solar Panel Owners



Solarbank 2 E1600 Pro

Solarbank 2 E1600 AC

ANKER SOLIX

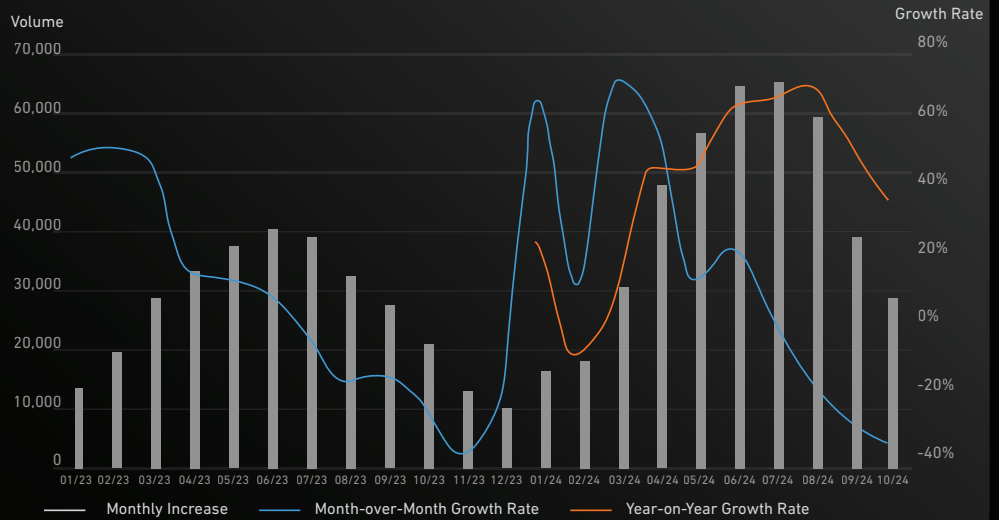
# Rapid Microinverter Registration Equals Untapped Energy Market

# 300,000

Estimated Sales of  
Balcony Batteries in 2024

In 2024, the total estimated new registration volume of balcony PV systems is expected to reach 1 million units. Among these, approximately 20% to 30% of users opt for adding batteries to their systems.

Registration Volume of Balcony Photovoltaic Systems from 2023 to 2024



## Reasons for Poor Economic Performance in Energy Storage Products

### Facts

73%

of PV-only system users want to use their current microinverters when building a new system.

74%

of users want to expand storage capacity and PV system capacity to three or more photovoltaic panels.

90%

of users want more accurate real-time control to enhance energy efficiency.

### Problems

Compatibility issues between old and new system.

Limited storage capacity, insufficient solar and MPPT.

Inaccurate Control and Energy Waste

Solarbank 2 E1600 Pro

Solarbank 2 E1600 AC

ANKER SOLIX

Anker SOLIX Solarbank 2 E1600 AC

# Upgrade Effortlessly, Solar Savings for Day and Night

The Most Fitting Solar Power System Upgrade Solution with AC Coupling

100% Microinverter Compatibility with AC Coupling

Expand to 2kW Input and 9.6kWh Capacity

Zero Waste with Smart Meter

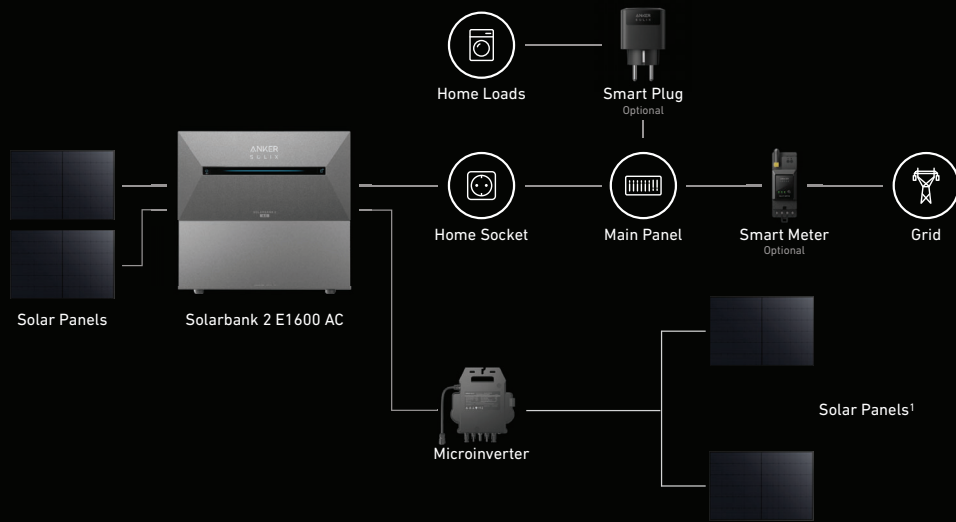


Solarbank 2 E1600 Pro/Plus    Solarbank 2 E1600 AC

ANKER SOLIX

# Anker SOLIX Solarbank 2 E1600 AC

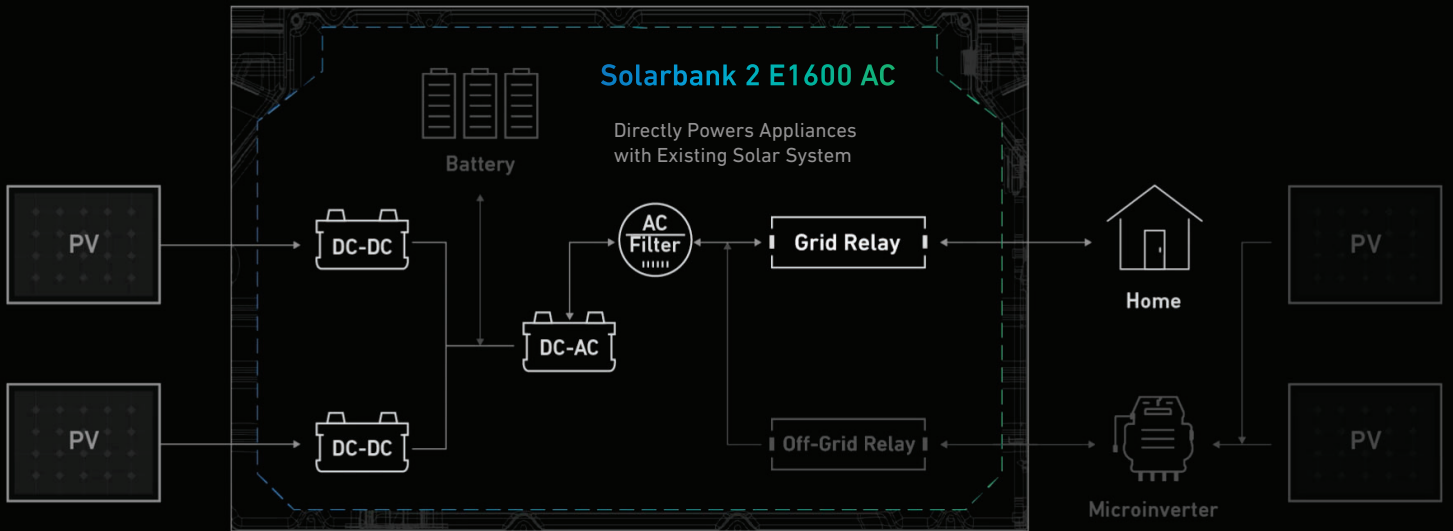
## Balcony Energy Storage System



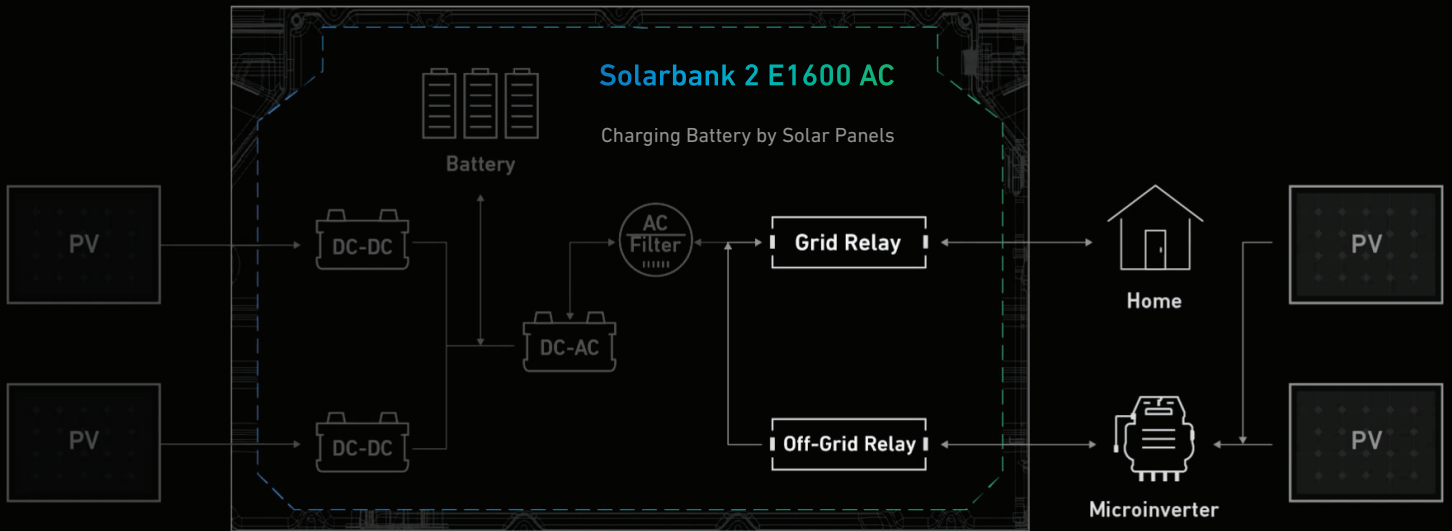
### What Anker Offers

<p>Solarbank 2 E1600 AC 1,600Wh 800W AC Input, 1200W DC Input</p>	<p>Anker SOLIX BP1600 1,600Wh Optional</p>
<p>Anker SOLIX Smart Meter Optional</p>	<p>Anker SOLIX Smart Plug Optional</p>

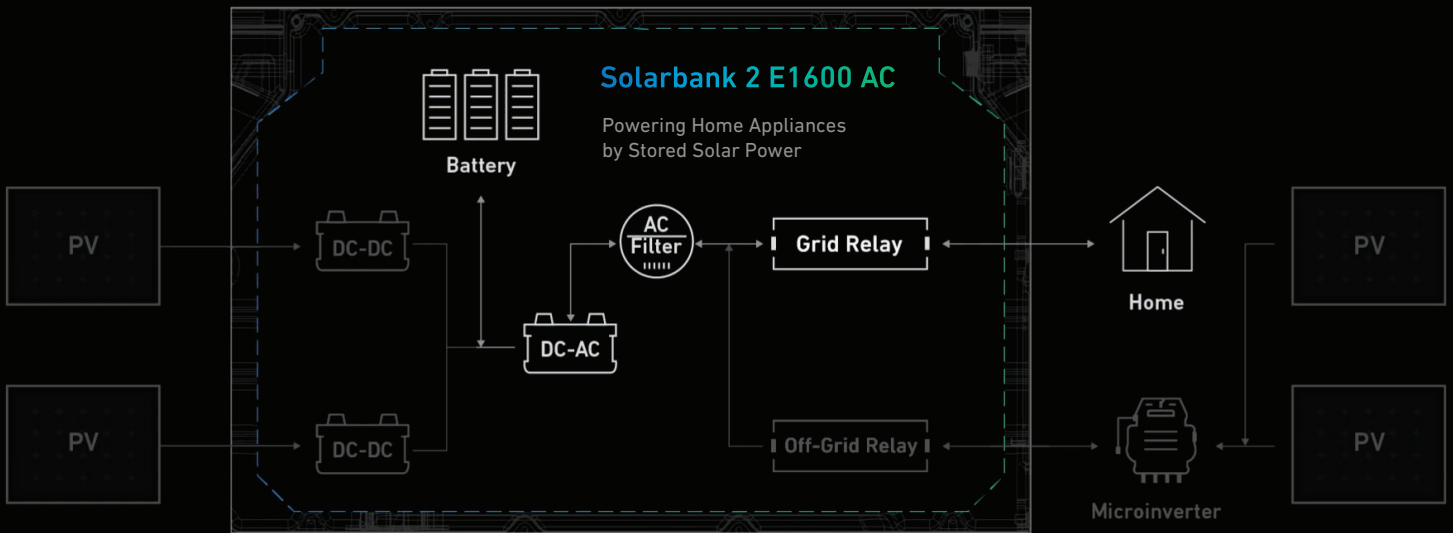
<sup>1</sup>The number of PV panels connected depends on the microinverter capacity. Refer to the specific microinverter product used. Video and images are for demonstration purposes only. Refer to the product manual for accurate information.

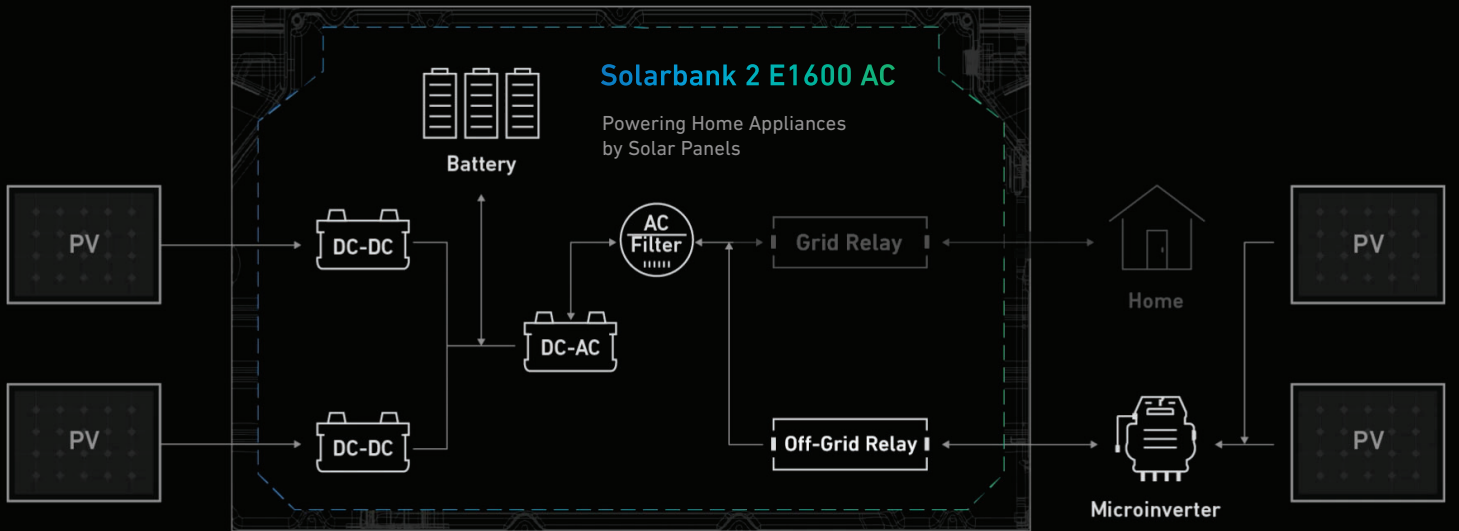












Solarbank 2 E1600 Pro/Plus    Solarbank 2 E1600 AC

# AC Coupling Creates Compatibility with All Microinverters



Works with 100% of Microinverters<sup>1</sup>

Featuring advanced AC-coupling technology, Solarbank 2 E1600 AC offers 100% compatibility with all balcony PV inverters up to 800W.

<sup>1</sup>According to local compliance regulations, Solarbank 2 AC only supports connection with microinverters that have a maximum power of 800W and are equipped with a Schuko plug.

Solarbank 2 E1600 Pro/Plus    Solarbank 2 E1600 AC

## AC Coupling Creates Compatibility with All Microinverters



Stable Power Output at 10W

Solarbank 2 E1600 AC takes full control of your balcony system, replacing existing microinverters and simplifying management.

Solarbank 2 E1600 Pro

Solarbank 2 E1600 AC

ANKER SOLIX

## Scale Your Solar System Up to 2,000W

Extra  
**1200W** + **800W**



1,200W DC Input with 2× MPPTs  
800W AC Input via AC Socket

Video and images are for demonstration purposes only. Refer to the product manual for accurate information.

Solarbank 2 E1600 Pro

Solarbank 2 E1600 AC

ANKER SOLIX

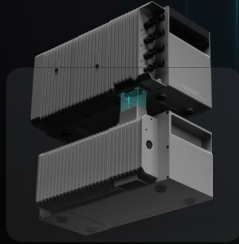
## Stackable Batteries for Easy Expansion

Up to

# 9.6kWh

With Five BP1600 Expansion Batteries

### Plug and Play



Video and images are for demonstration purposes only. Refer to the product manual for accurate information.

Solarbank 2 E1600 Pro

Solarbank 2 E1600 AC

ANKER SOLIX

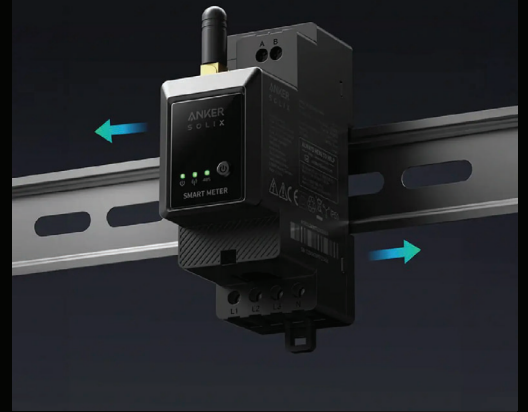
# Zero Energy Waste with Real Time Monitoring

**<3 s** On-Demand Power Output Adjustment<sup>1</sup>

**<10W** Precise Power Control<sup>1</sup>



Anker SOLIX Smart Meter



Third-Party Compatibility<sup>2</sup>

*Shelly*

<sup>1</sup>Only when the system works with Anker SOLIX Smart Meter.  
<sup>2</sup>The currently supported third-party meter models are Shelly Pro 3 EM and Shelly 3EM. When using third-party meters, the accuracy of power control and response time may be affected. For more information, refer to the official website. Video and images are for demonstration purposes only. Refer to the product manual for accurate information.

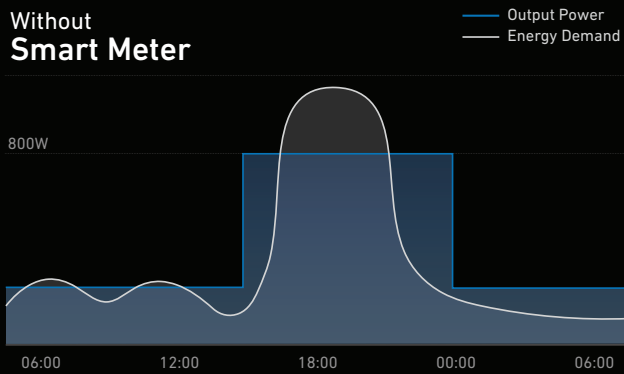


# Optimized Energy Demand Matching for Zero Waste

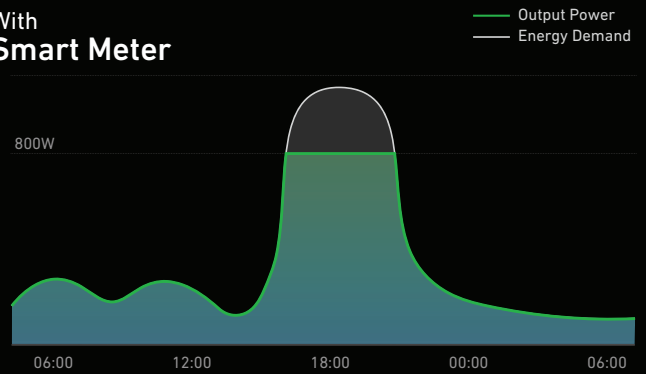
Constant Power Output  
Leads to Electricity Wasted

Adjust Power Output Precisely  
According to the Load

Without  
Smart Meter



With  
Smart Meter



Solarbank 2 E1600 Pro

Solarbank 2 E1600 AC

ANKER SOLIX

# Maximize Savings with Solar Power



Increase in Savings  
from Only Solar Panels<sup>1</sup>


# 4.8x


Savings with Solar and Storage

€902

Savings with Solar Only<sup>2</sup>

€186

 Produce Solar Energy During the Day

 Consume Energy at Night

<sup>1</sup>Calculated based on one Anker SOLIX Solarbank 2 E1600 AC with three BP1600 batteries, four 500W solar panels, one smart meter and four ground brackets.  
<sup>2</sup>Calculated based on with one microinverter and two 500W solar panels.

Solarbank 2 E1600 Pro

Solarbank 2 E1600 AC

ANKER SOLIX

## Quick Retrofit, Plug and Play in 6 Seconds

6 s

Retrofit to Upgrade  
to Solar-and-Storage<sup>1</sup>



<sup>1</sup>The installation time may vary, please refer to the actual situation. Video and images are for demonstration purposes only. Refer to the product manual for accurate information.

Solarbank 2 E1600 Pro

Solarbank 2 E1600 AC

ANKER SOLIX

# Off-Grid Backup Power with Bidirectional AC Outlet

Off-Grid Backup Power

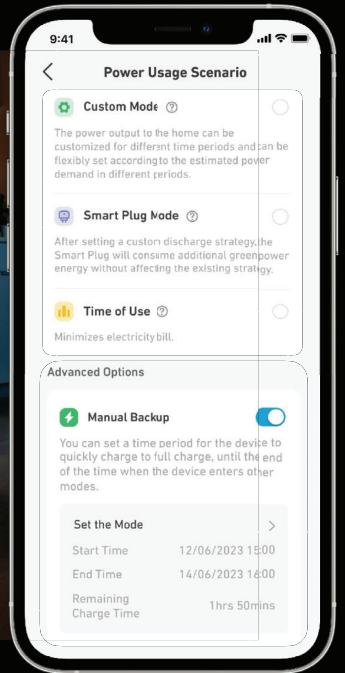
# 1,200W

Anker SOLIX 1,200W

Brand H 800W

Rapid Battery Recharging to 100% in

# 1.45 Hours



\*Refer to the product manual for accurate information. Solarbank 2 AC has a 1,000W off-grid output, which increases to 1,200W with an expansion battery.

Solarbank 2 E1600 Pro

Solarbank 2 E1600 AC

ANKER SOLIX

## Long Lasting Lifespan and Warranty

### Long-Lasting



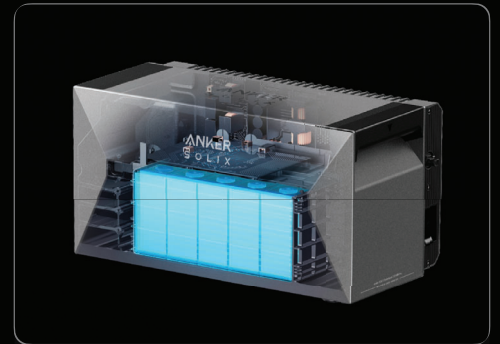
Designed to last 15 years and protected by a 10-year warranty.

### Safe and Reliable



Thermal boosting keeps power on below freezing and IP65 resistance protects against rain and dust.

### 6,000 Cycles with LFP Battery



LFP battery cells built for home energy storage, lasting twice as long as the industry average.

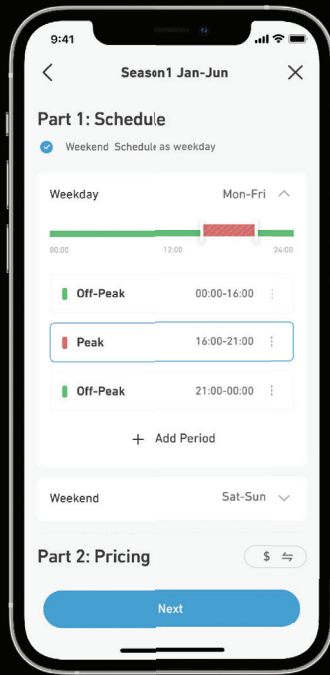
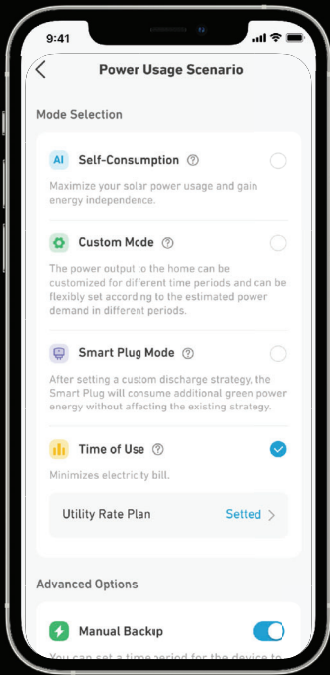
Video and images are for demonstration purposes only. Refer to the product manual for accurate information.

Solarbank 2 E1600 Pro

Solarbank 2 E1600 AC

ANKER SOLIX

# Smart App Control with TOU Mode



Video and images are for demonstration purposes only. Refer to the product manual for accurate information.

# Anker SOLIX Solarbank E1600 Series

## All-in-One Solution

Best for new users. Advanced energy made easy.

Solarbank 2 E1600 Pro



## AC-Coupled Solution

Upgrade to solar-and-storage seamlessly.

Solarbank 2 E1600 AC



## DC-Coupled Solution

Budget-friendly power savings.

Solarbank E1600



Capacity	1,600Wh	1,600Wh	1,600Wh
Capacity with Extra Batteries	9,600Wh	9,600Wh	X
Number of MPPTs	4x	2x	1x
Solar Input	2,400W DC Input	800W AC Input (from Microinverter) 1,200W DC Input	800W DC Input
Output Power	800W	800W	800W
Rated Charging Power	1,000W (Solarbank only) 2,000W (with Battery)	1,000W (Solarbank only) 2,000W (with Battery)	800W
Charging Cycles	6,000 (70%) 5,000 (80%)	6,000 (70%) 5,000 (80%)	6,000 (70%) 5,000 (80%)
Grid Recharging	X	√	X
Backup Power	1,000W AC Output	1,200W AC Output	X
Operation Temperature	-20°C to 55°C	-20°C to 55°C	-20°C to 55°C

Video and images are for demonstration purposes only. Refer to the product manual for accurate information.



**ANKER SOLIX**  
LIVE IN POWER